

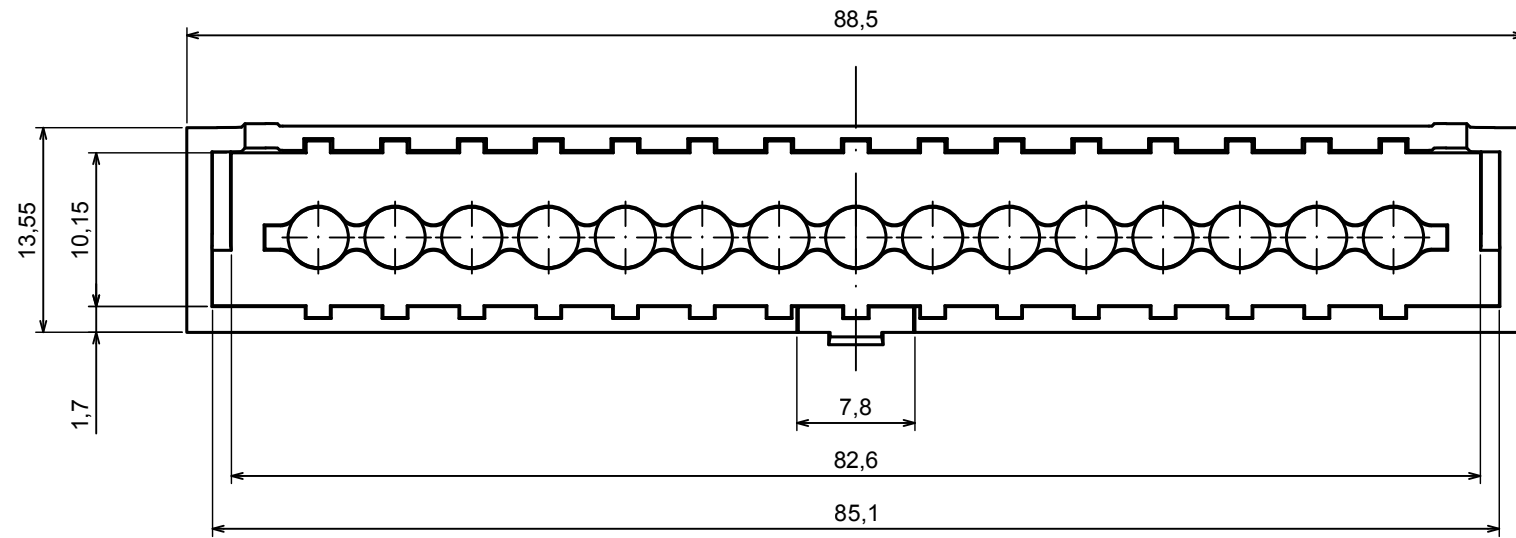
All rights reserved. Copyright Kradox 2019

Product model ZD5TC 5,08 - Assembly with ZDPLUG 5,08

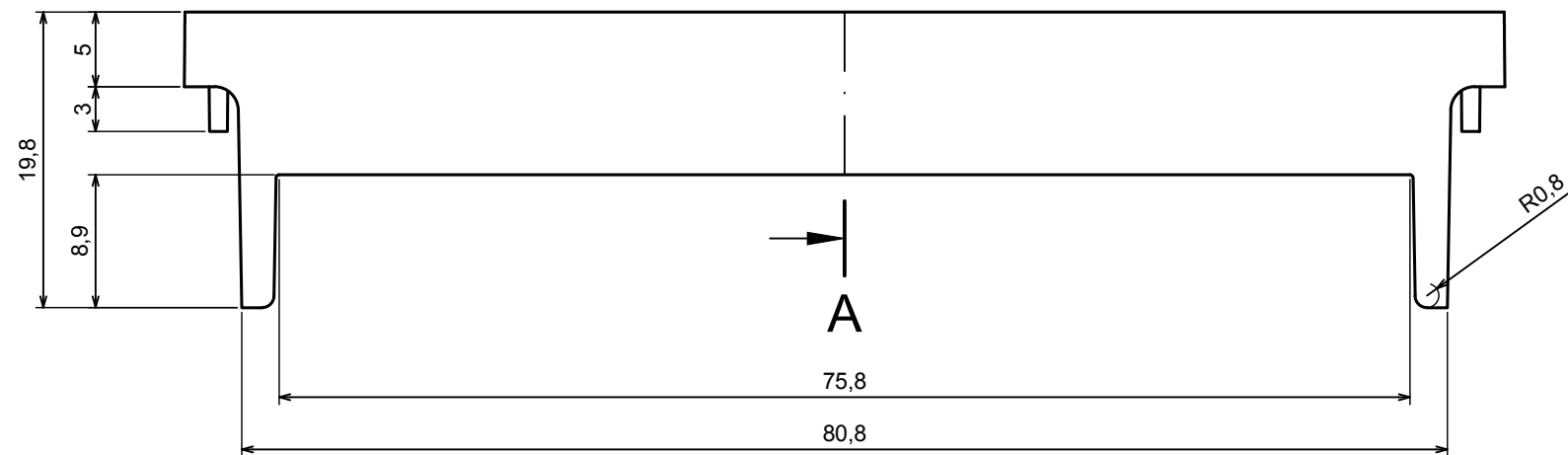
Format: A3 Material: ABS V0

Scale 2:1 Tolerance: +/- 0,2

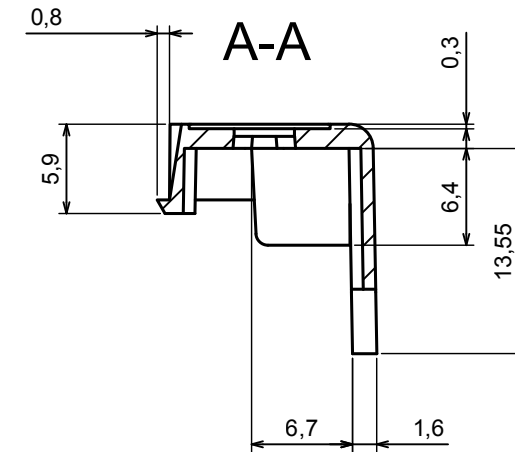
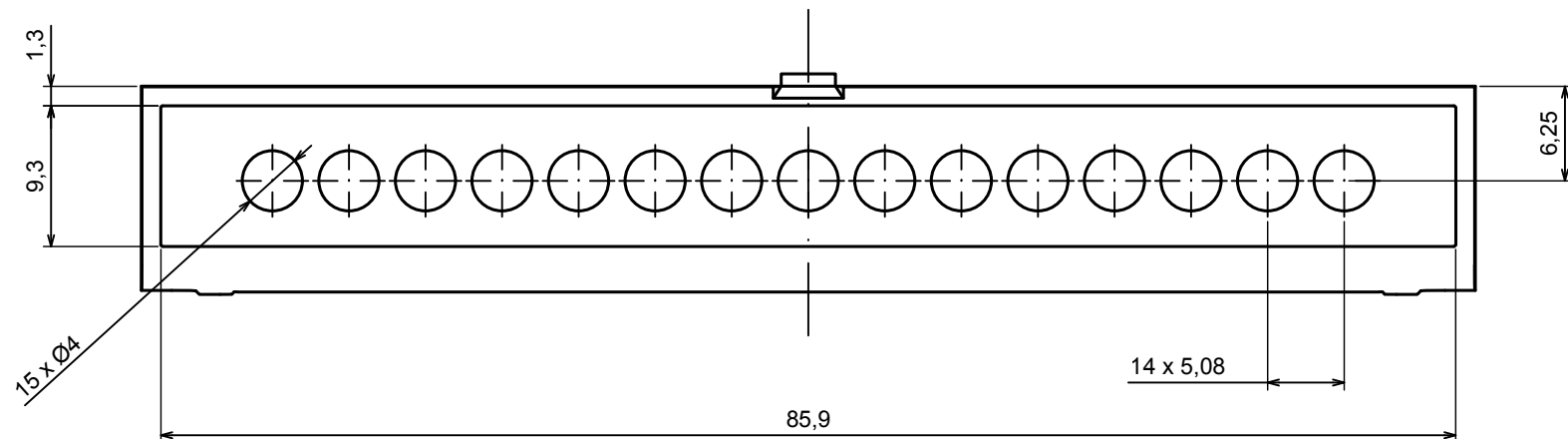




A
→



A
→



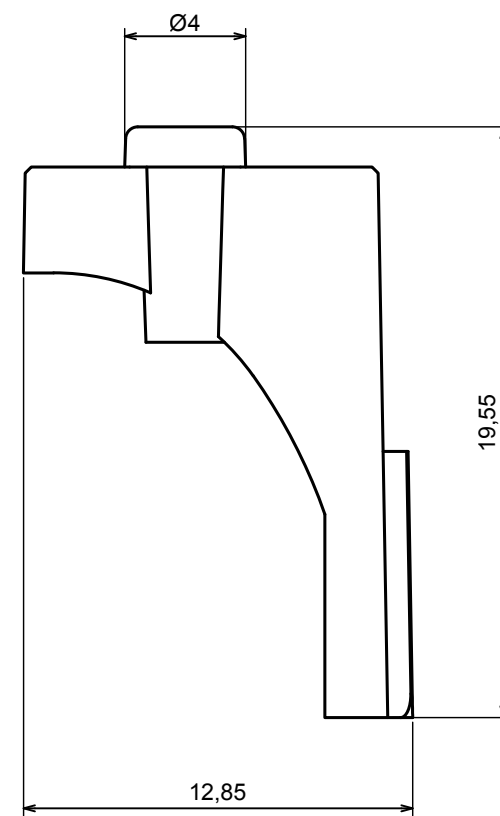
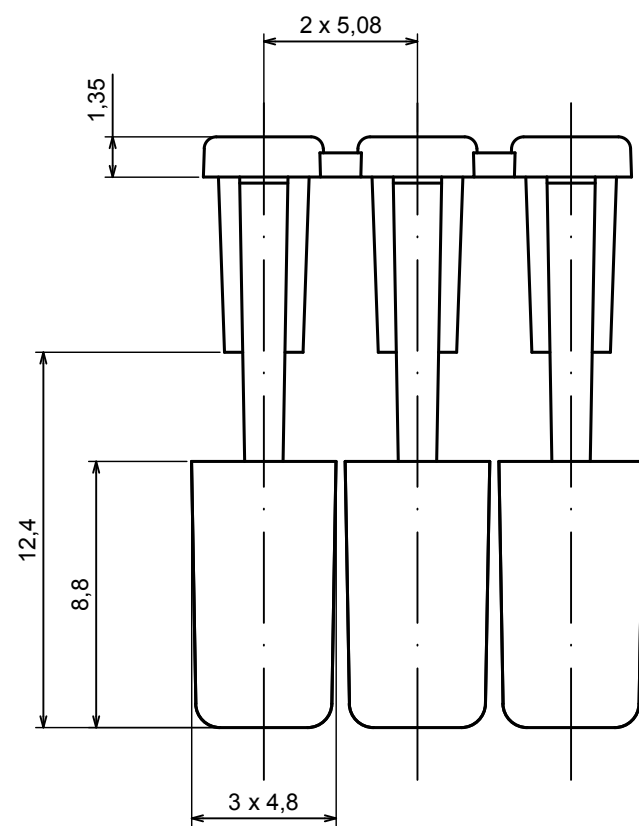
All rights reserved. Copyright Kradox 2019

Product model ZD5TC 5,08

Format: A3 Material: ABS V0

Scale 2:1 Tolerance: +/- 0,2





All rights reserved. Copyright Kradox 2019

Product model ZDPLUG 5,08

Format: A3 Material: ABS V0

Scale 4:1 Tolerance: +/- 0,2

