
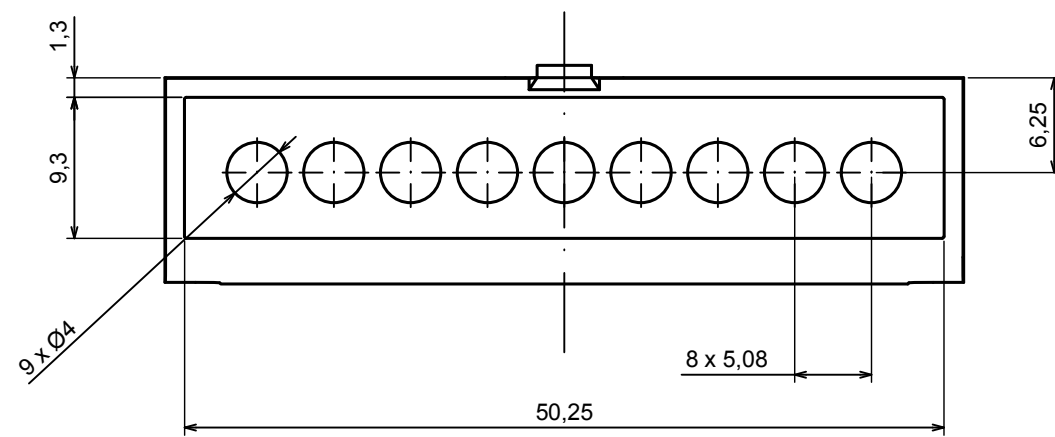
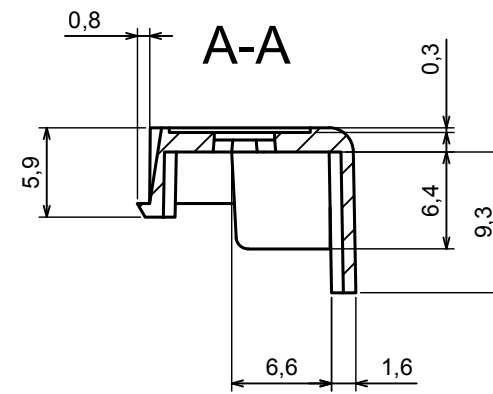
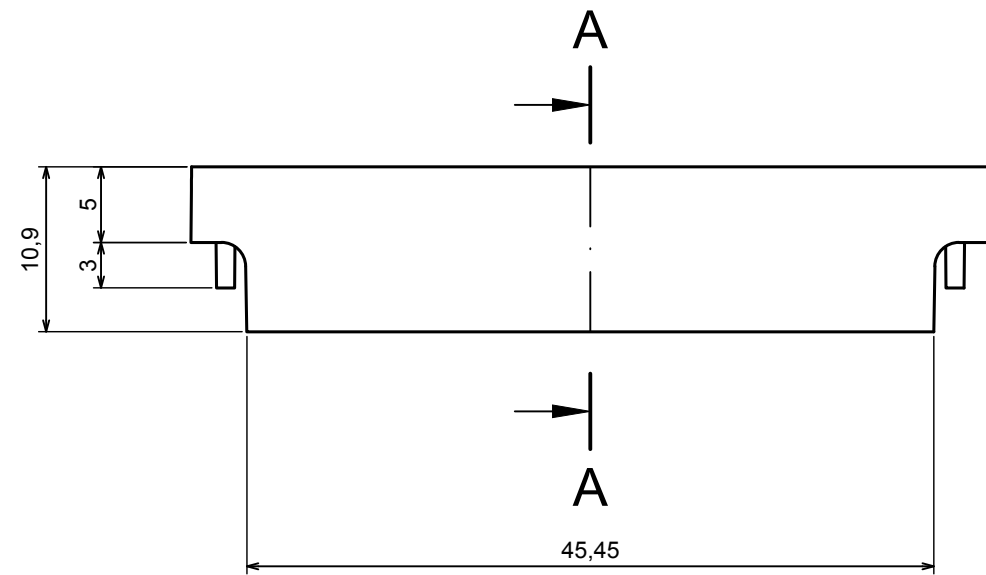
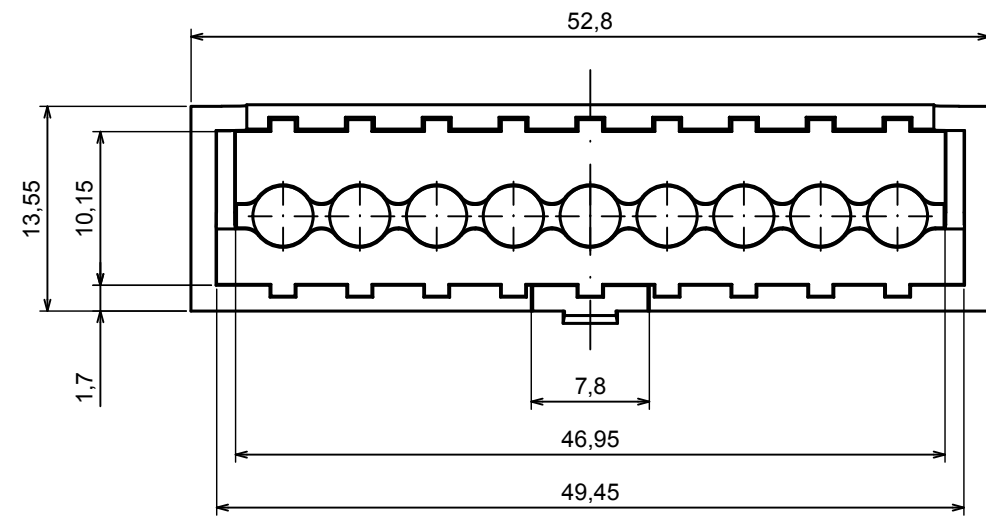


All rights reserved. Copyright Kradox 2019		
Product model	ZD3TC 5,08 - Assembly with ZDPLUG 5,08	
Format: A3	Material: ABS V0	
Scale 2:1	Tolerance: +/- 0,2	



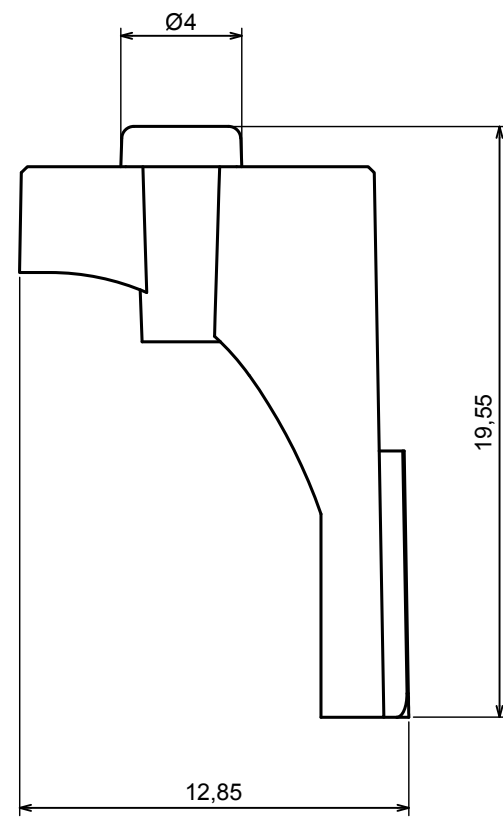
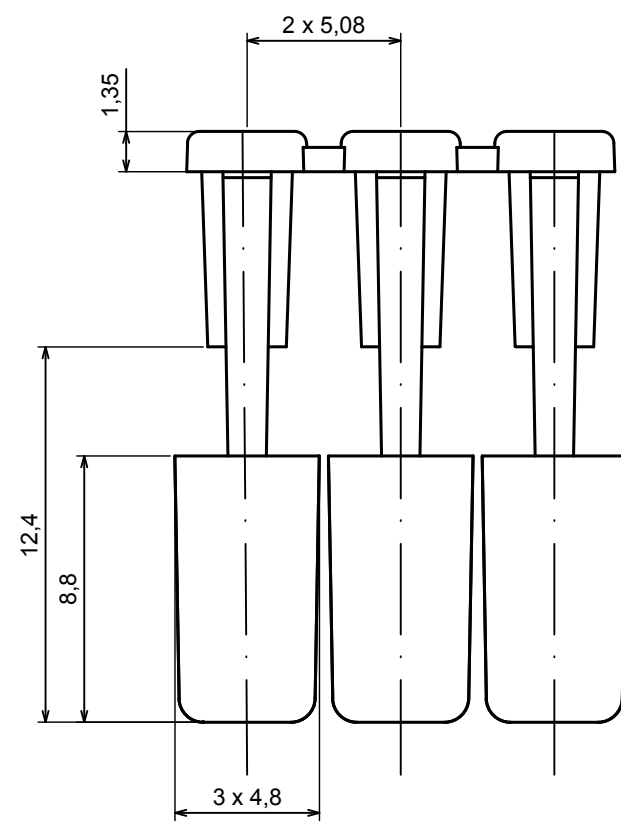
All rights reserved. Copyright Kradox 2019

Product model ZD3TC 5,08

Format: A3 Material: ABS V0

Scale 2:1 Tolerance: +/- 0,2





All rights reserved. Copyright Kradox 2019

Product model ZDPLUG 5,08

Format: A3 Material: ABS V0

Scale 4:1 Tolerance: +/- 0,2

