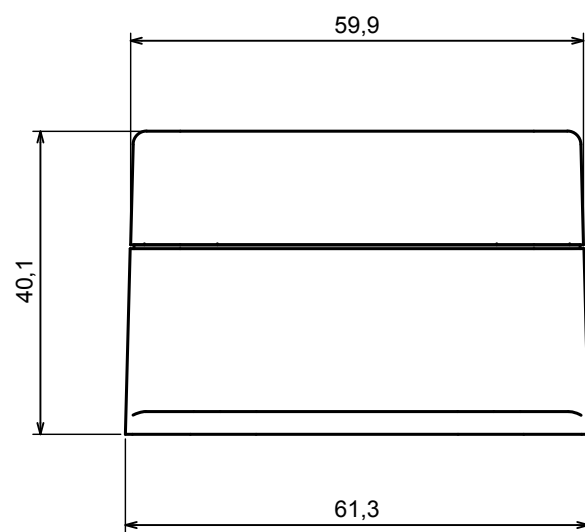
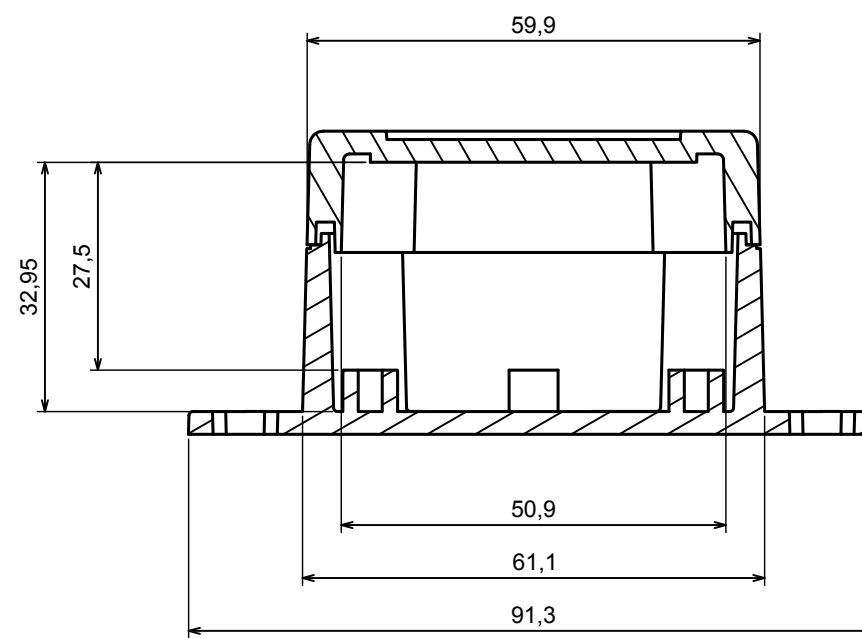


A |



A |

A-A



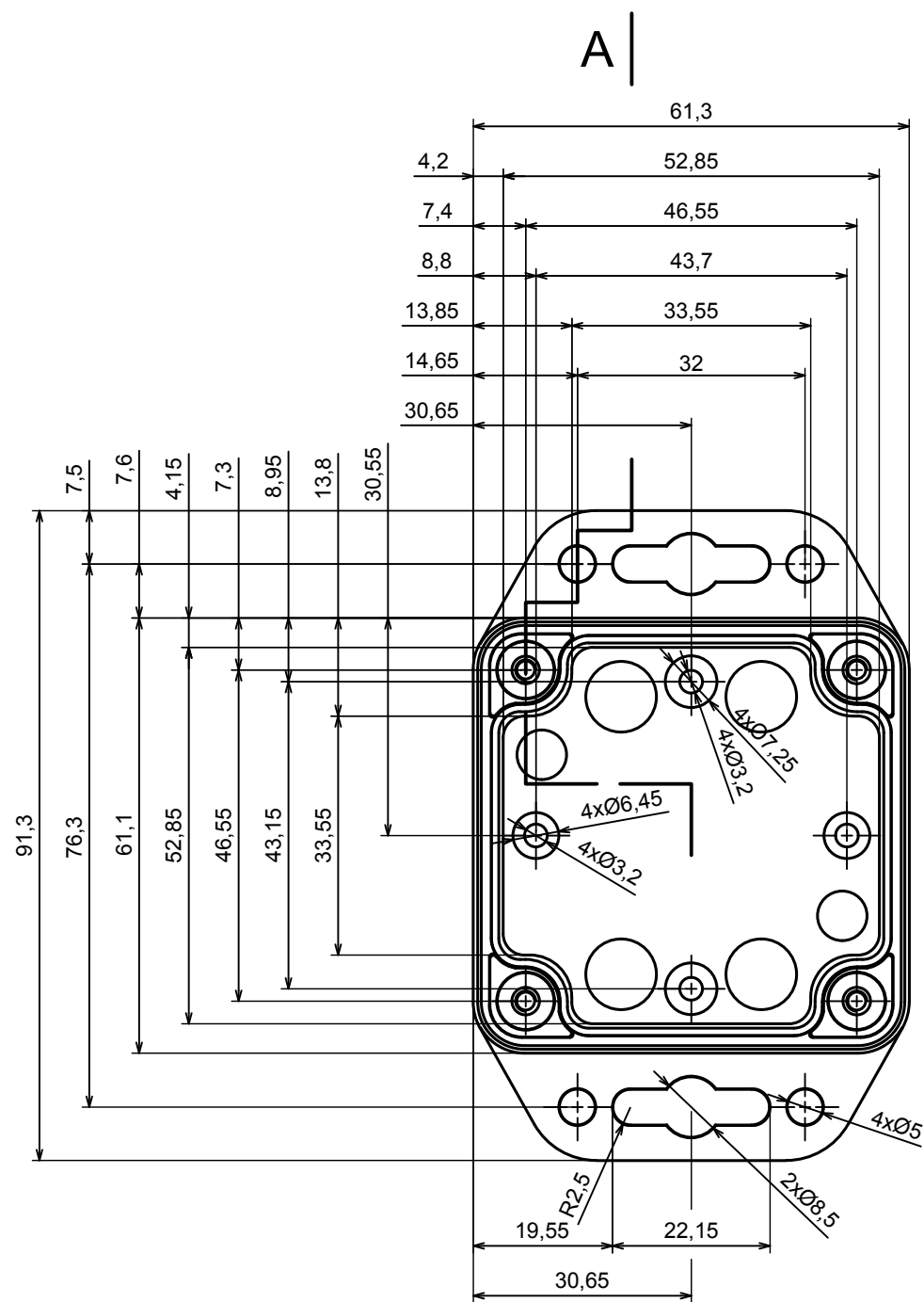
All rights reserved, Copyright Kradex 2020

Product model Enclosure ZP60.60.40U TM - Assembly

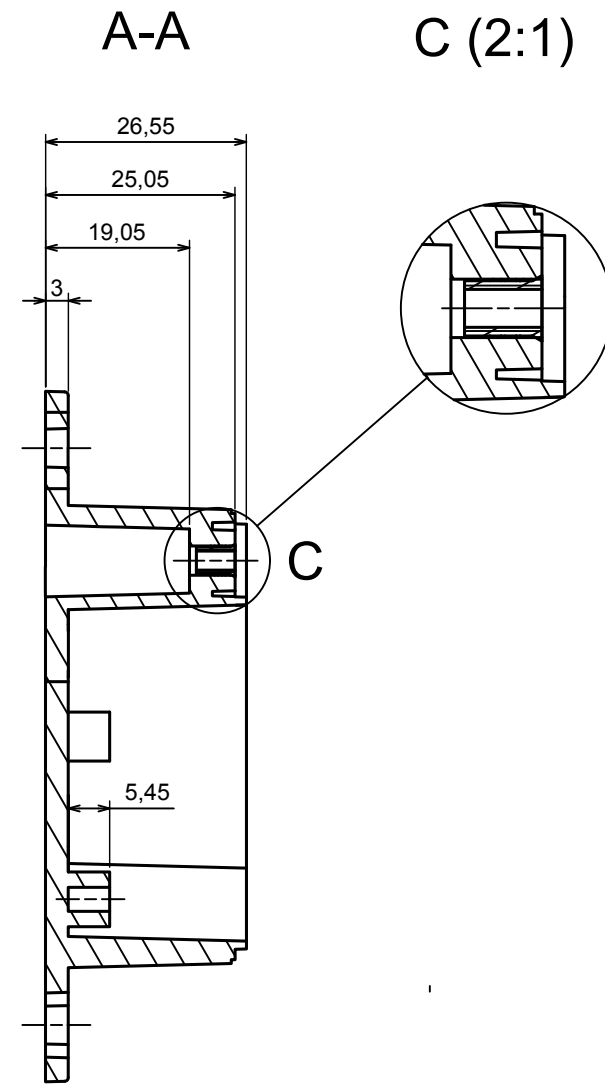
Format: A3 Material: PC, ABS


Scale 1:1 Tolerance: +/- 0.5

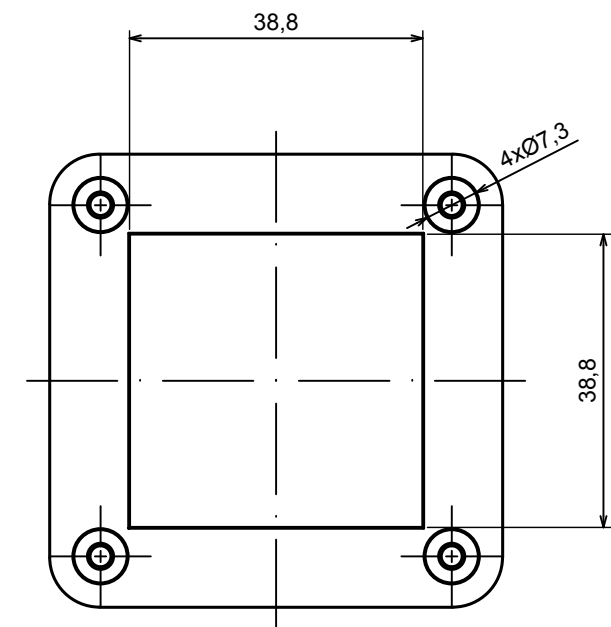
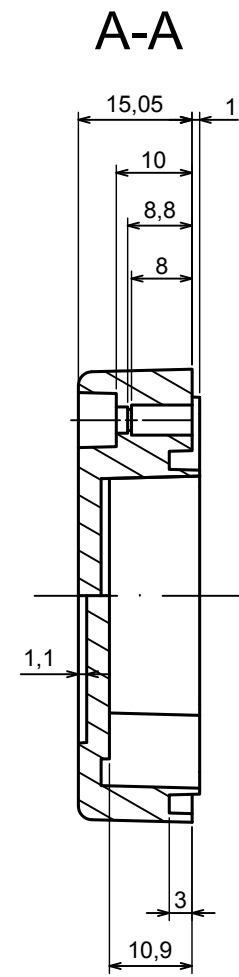
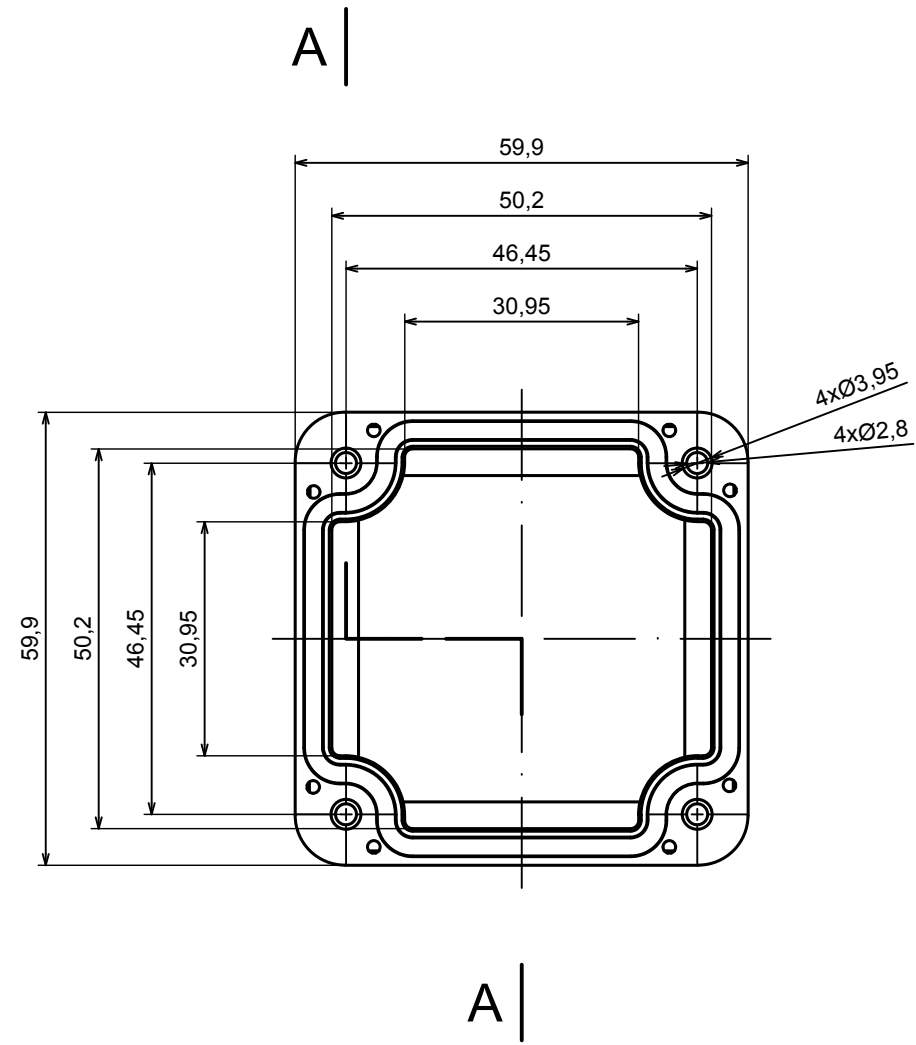




A |



All rights reserved, Copyright Kradox 2020		
Product model	Enclosure ZP60.60.40 TM - Base ZP60.60.25 TM	
Format: A3	Material: PC, ABS	
Scale 1:2	Tolerance: +/- 0.5	



All rights reserved, Copyright Kradex 2020

Product model Enclosure ZP60.60.40 TM - Cover ZP60.60.15

Format: A3 Material: PC, ABS

Scale 1:1 Tolerance: +/- 0.5

