

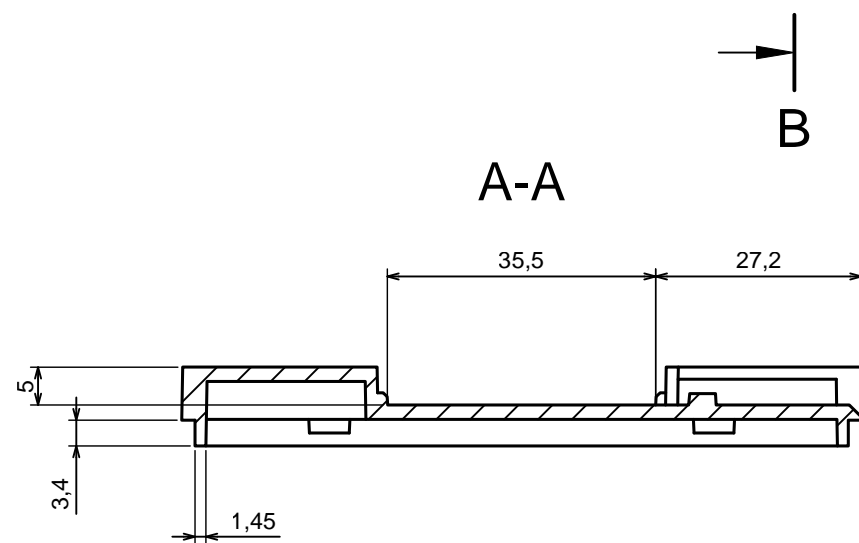
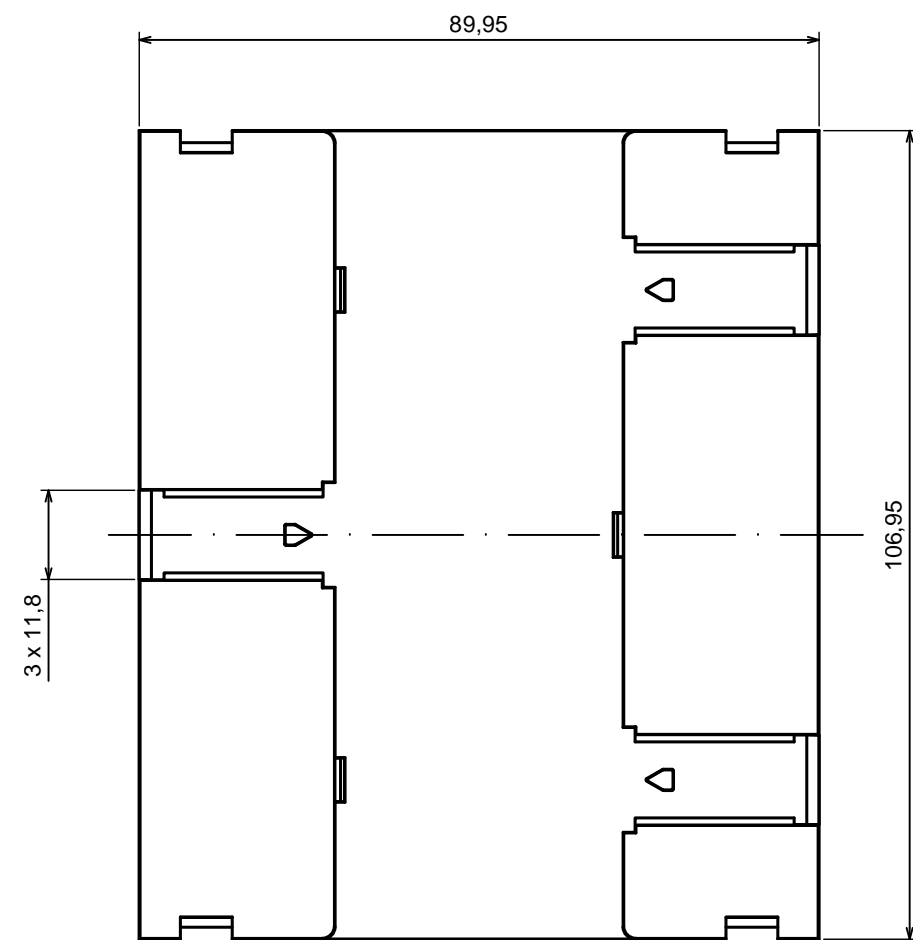
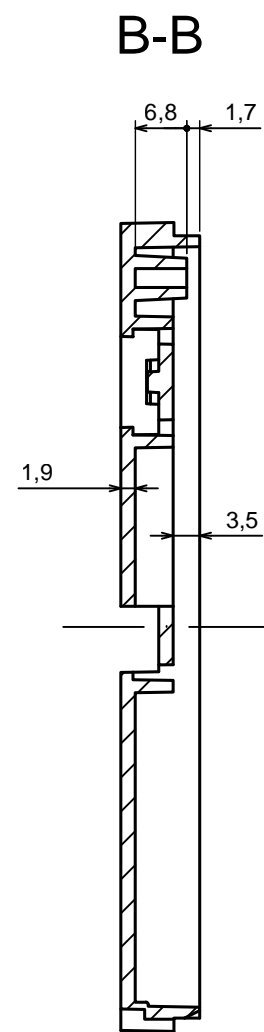
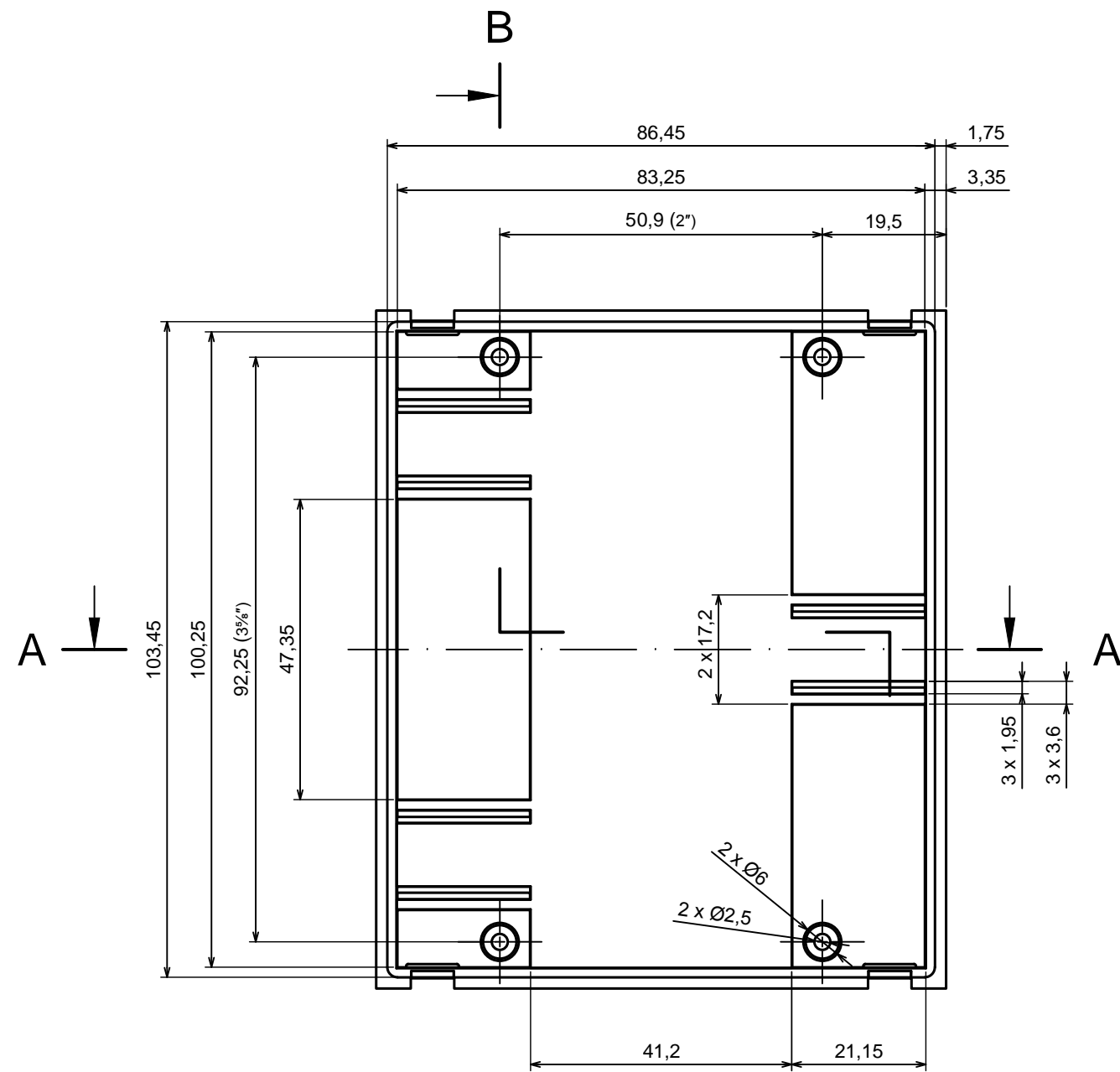
All rights reserved. Copyright Kradex 2022

Product model Enclosure ZD1006 - Assembly

Format: A3 Material: ABS

Scale 1:1 Tolerance: +/- 0,5





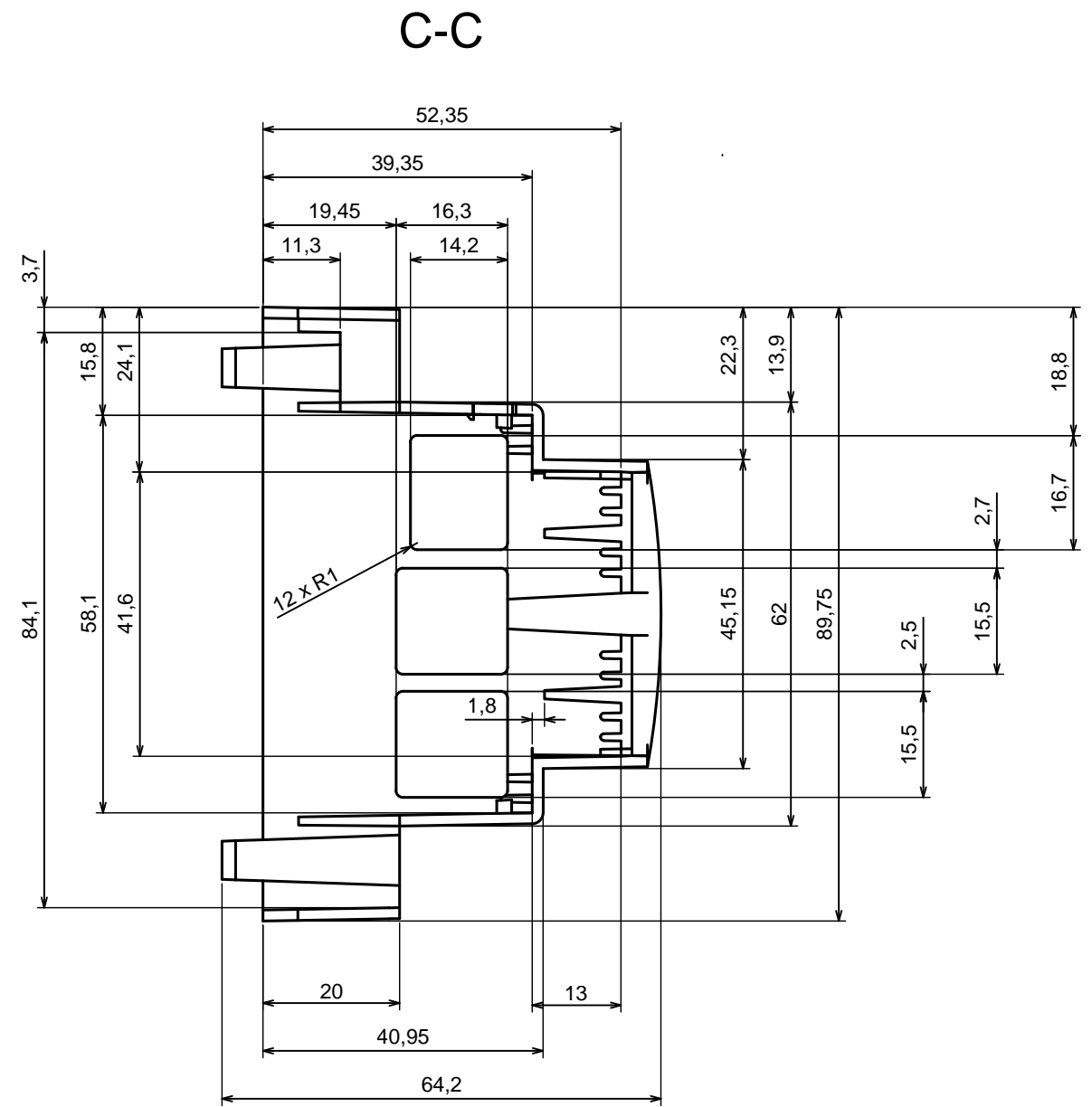
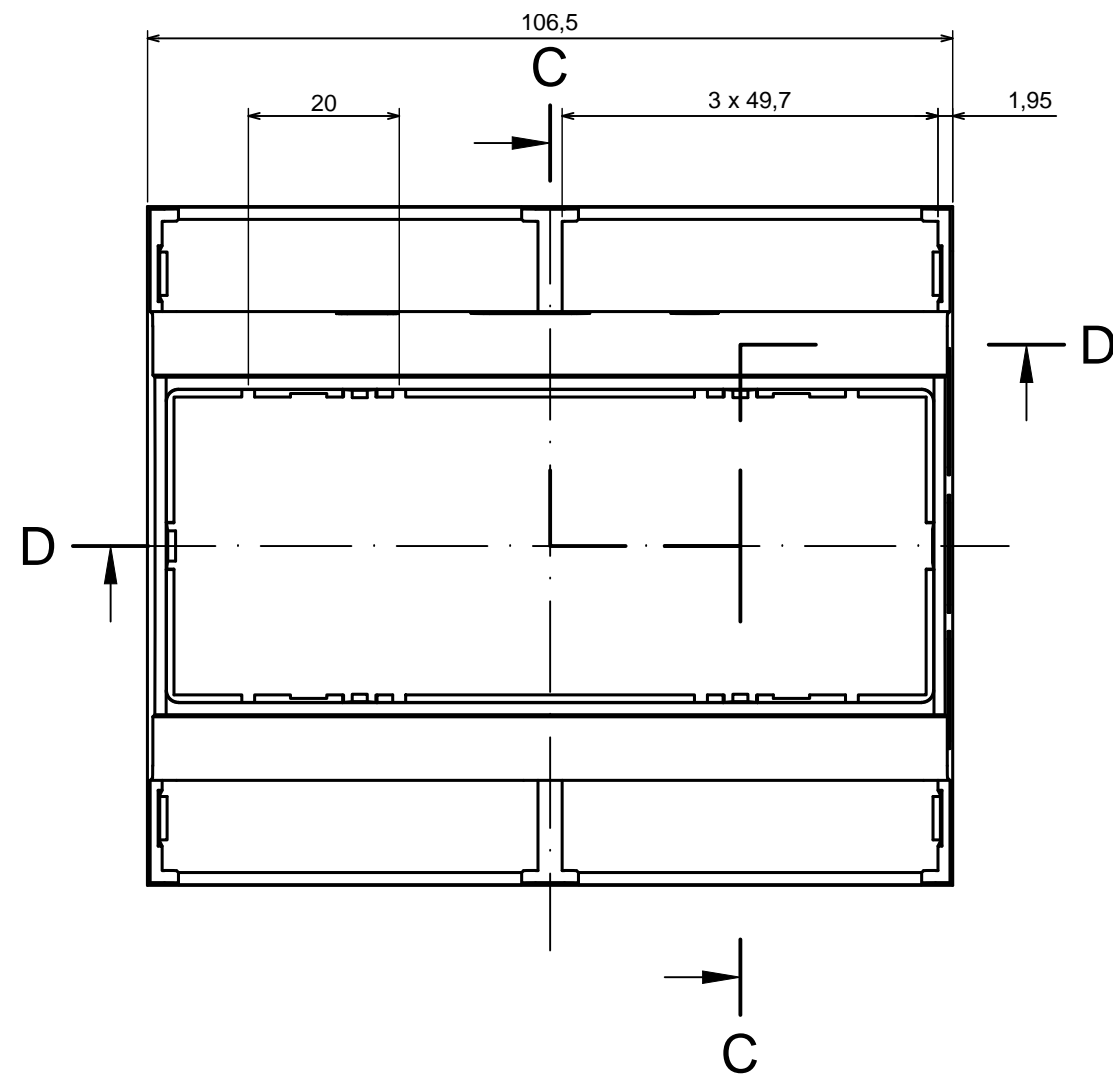
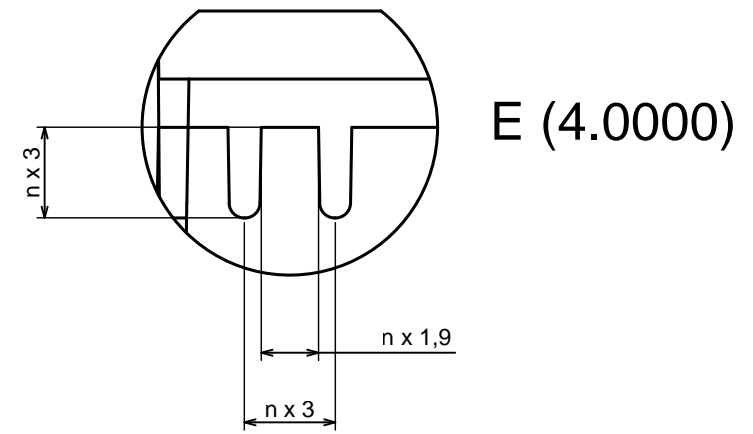
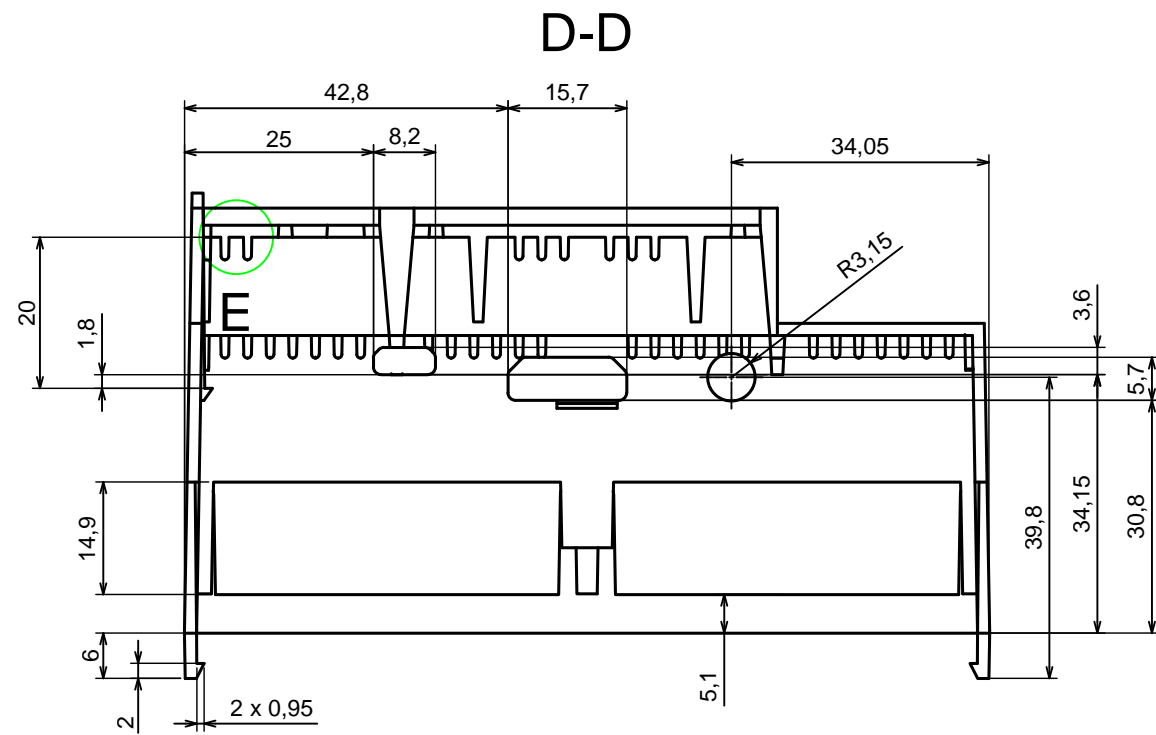
All rights reserved. Copyright Kradox 2022

Product model Enclosure ZD1006 - Base

Format: A3 Material: ABS

Scale 1:1 Tolerance: +/- 0,5





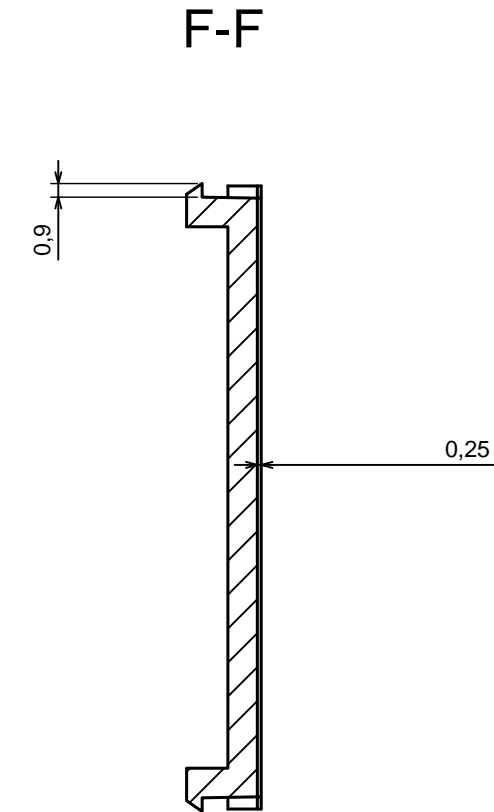
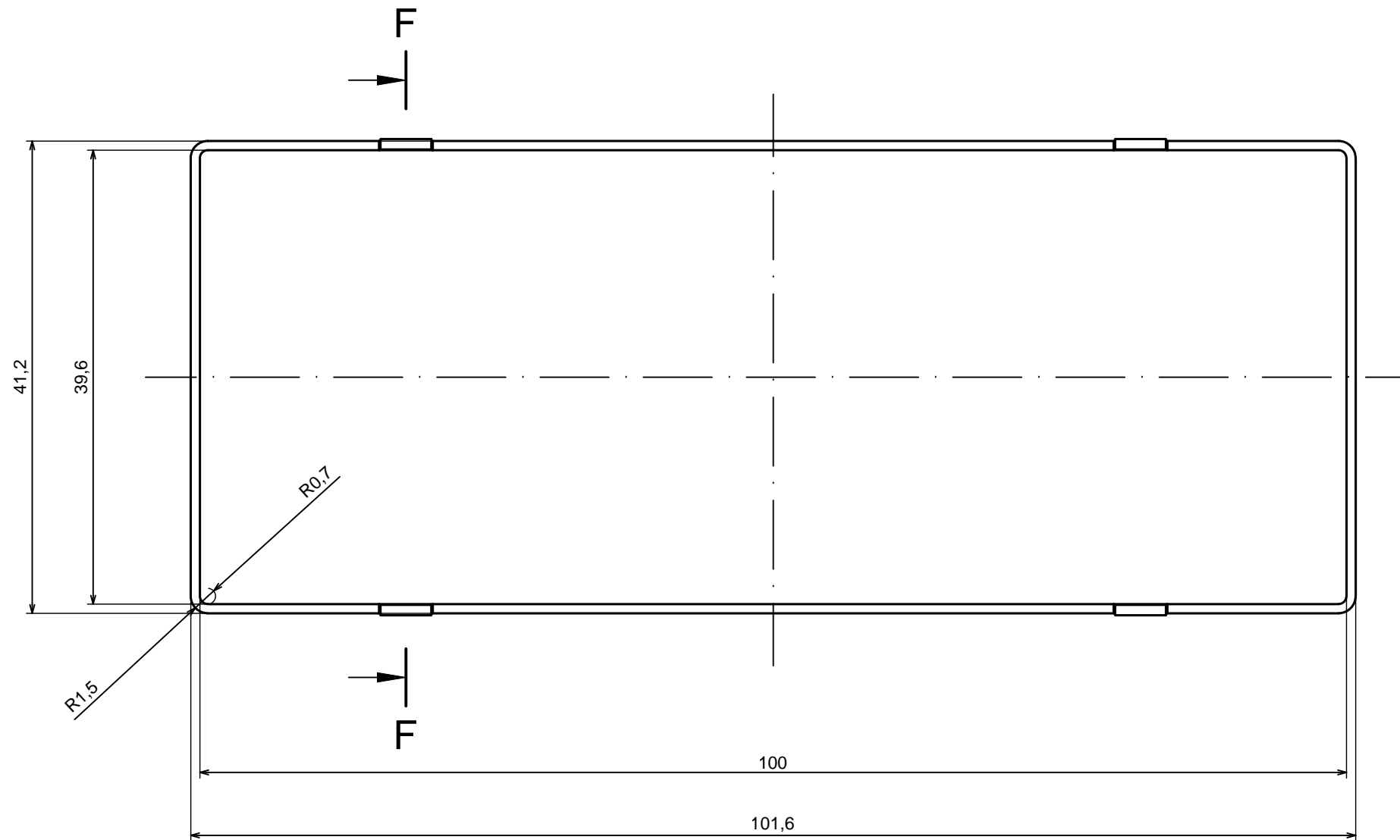
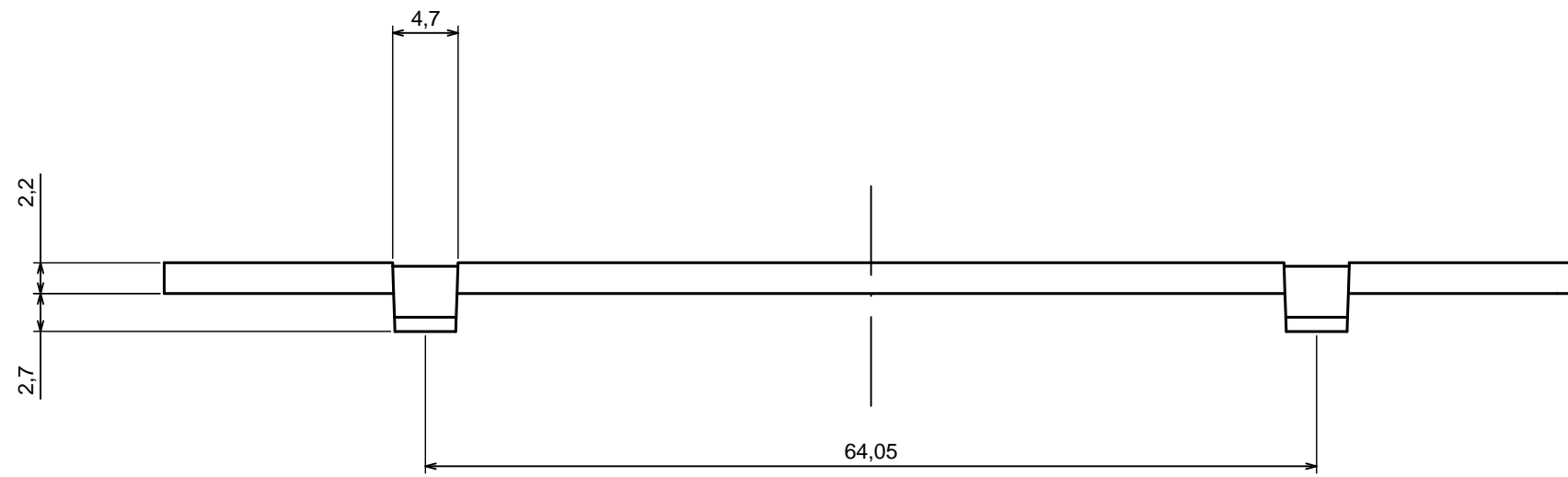
All rights reserved. Copyright Kradox 2022


Product model Enclosure IOT.ZD1006-Pi3 - Cover

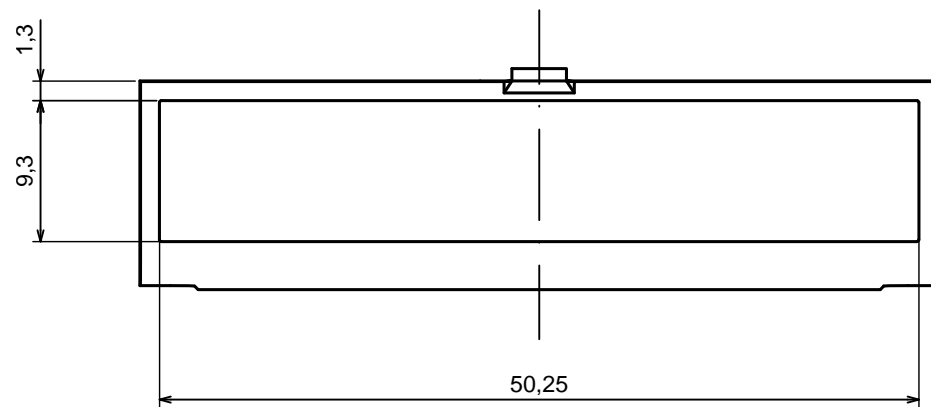
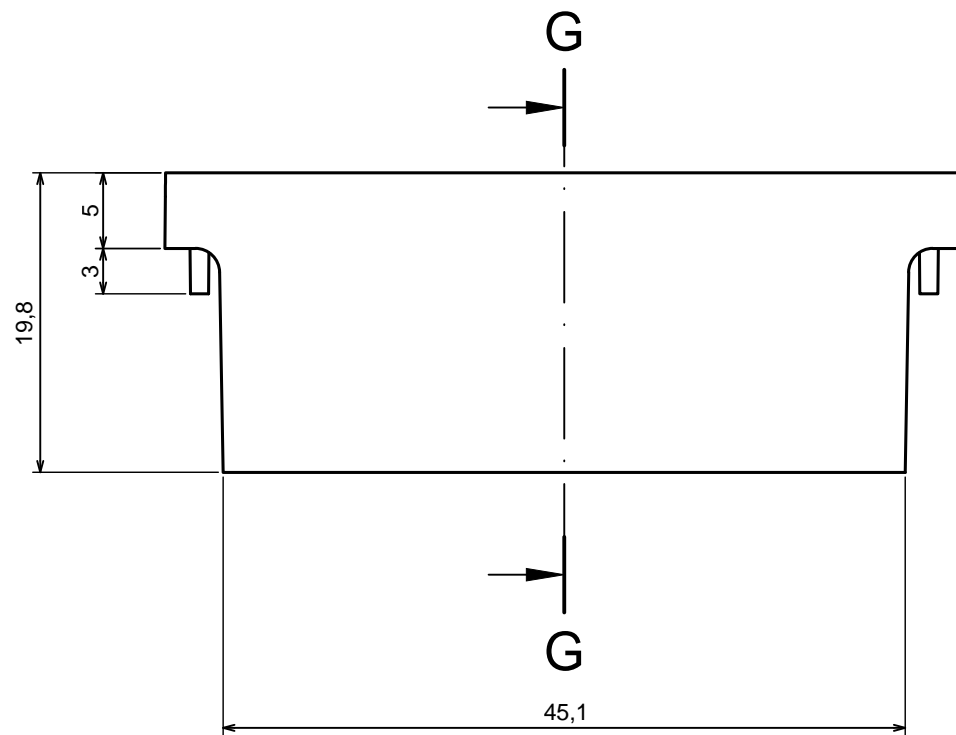
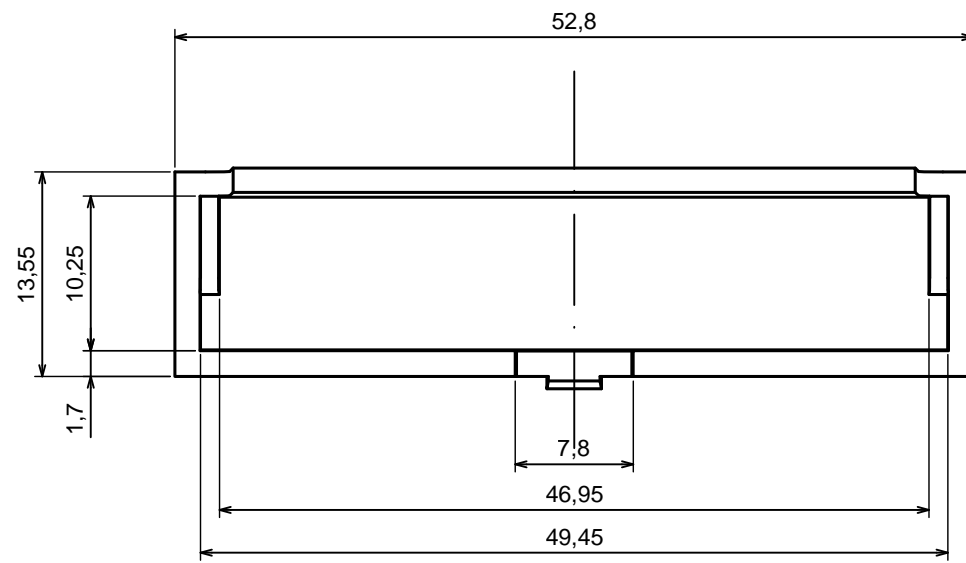
Format: A3 Material: ABS

Scale 1:1 Tolerance: +/- 0,5

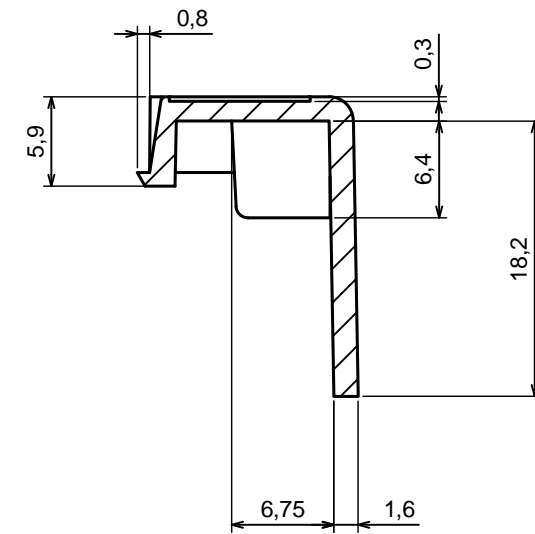




All rights reserved. Copyright Kradox 2022		
Product model	Panel ZDF1006	
Format: A3	Material: ABS	
Scale 2:1	Tolerance: +/- 0,3	



G-G



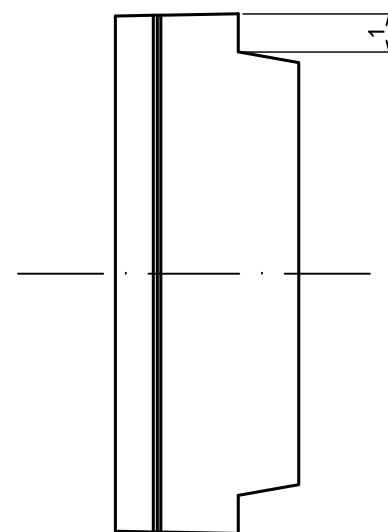
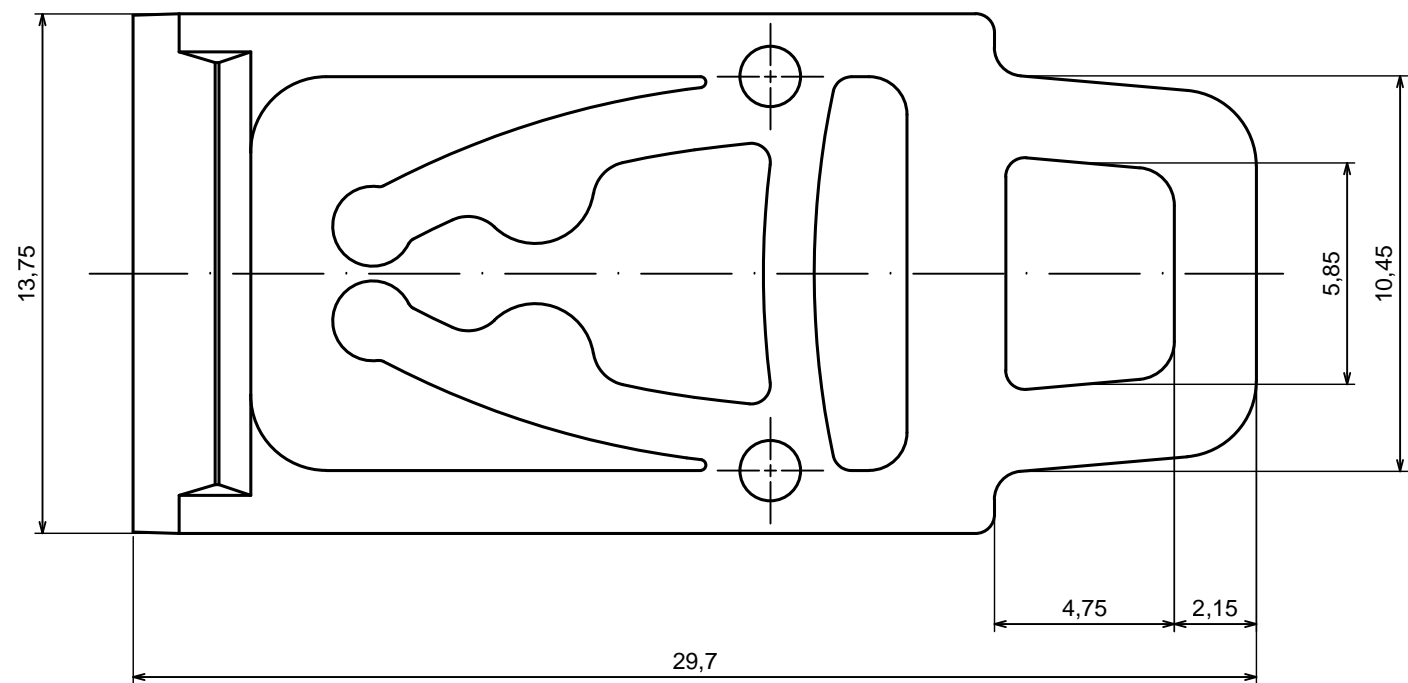
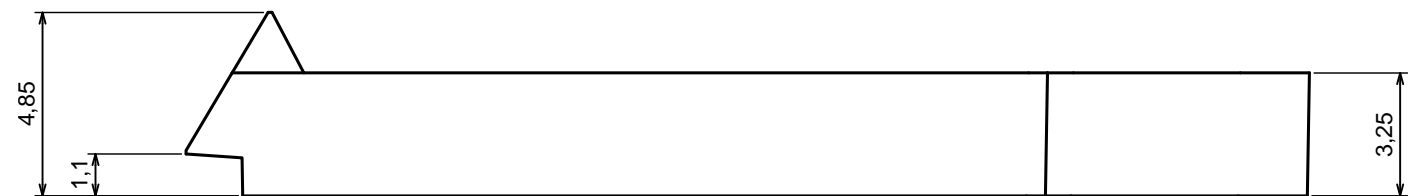
All rights reserved. Copyright Kradox 2022

Product model ZD3TC

Format: A3 Material: ABS

Scale 2:1 Tolerance: +/- 0,3





All rights reserved. Copyright Kradox 2022

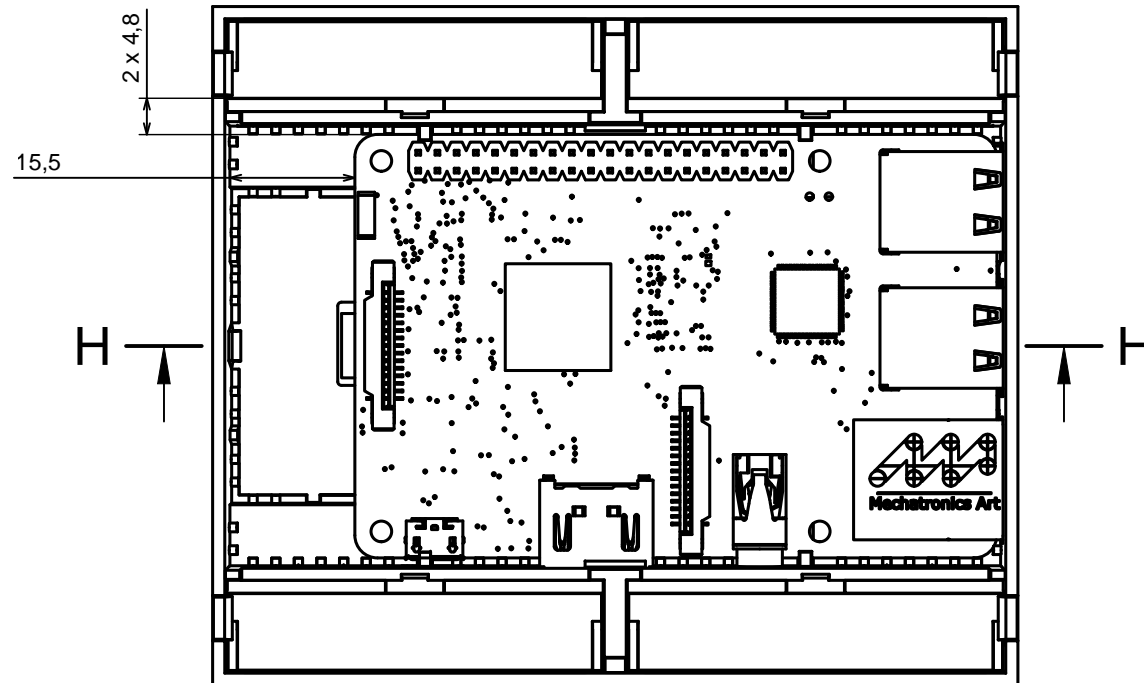
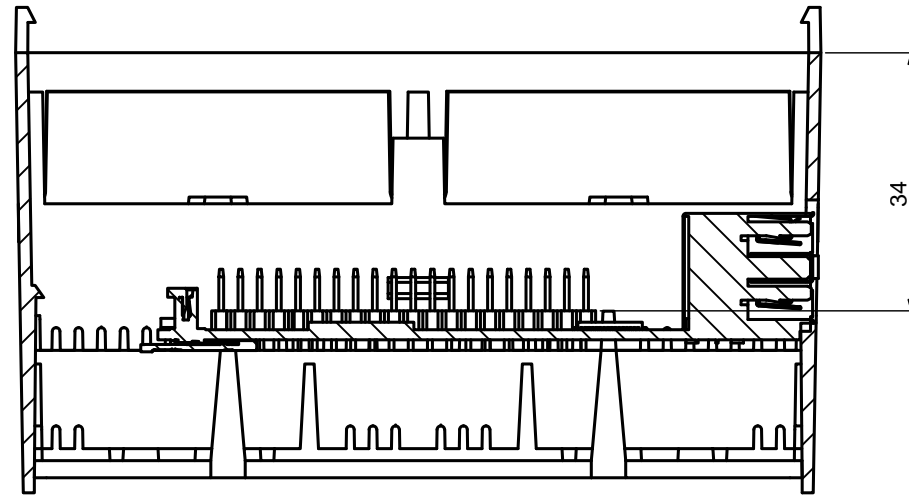
Product model Enclosure ZD1006 - Hook

Format: A3 Material: ABS

Scale 5:1 Tolerance: +/- 0,3



H-H



All rights reserved. Copyright Kradex 2022

Product model Enclosure IOT.ZD1006-Pi3 - Assembly

Format: A3 Material: other

Scale 1:1 Tolerance: +/- 0,5

