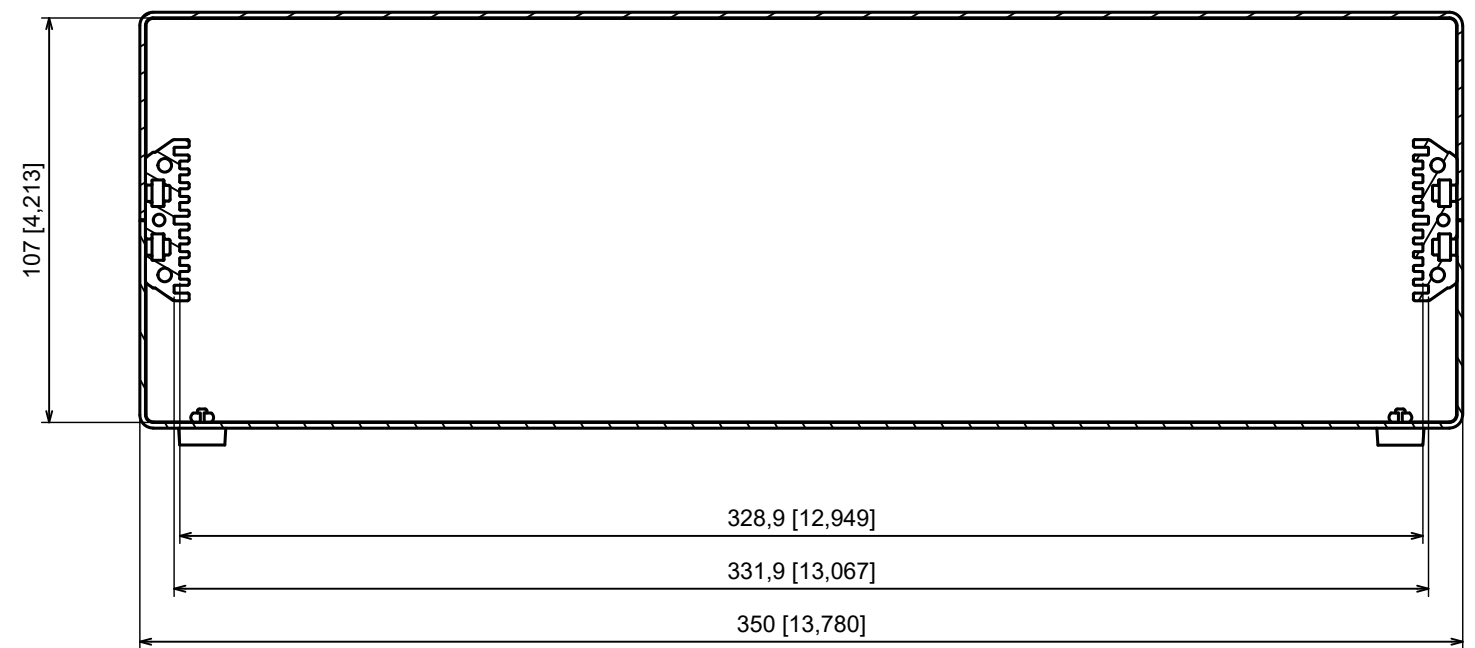


A |



A |

A-A



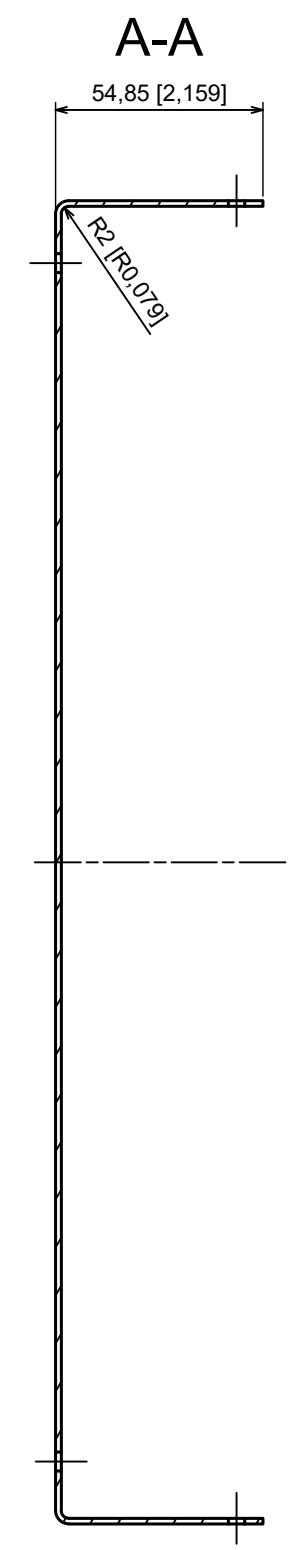
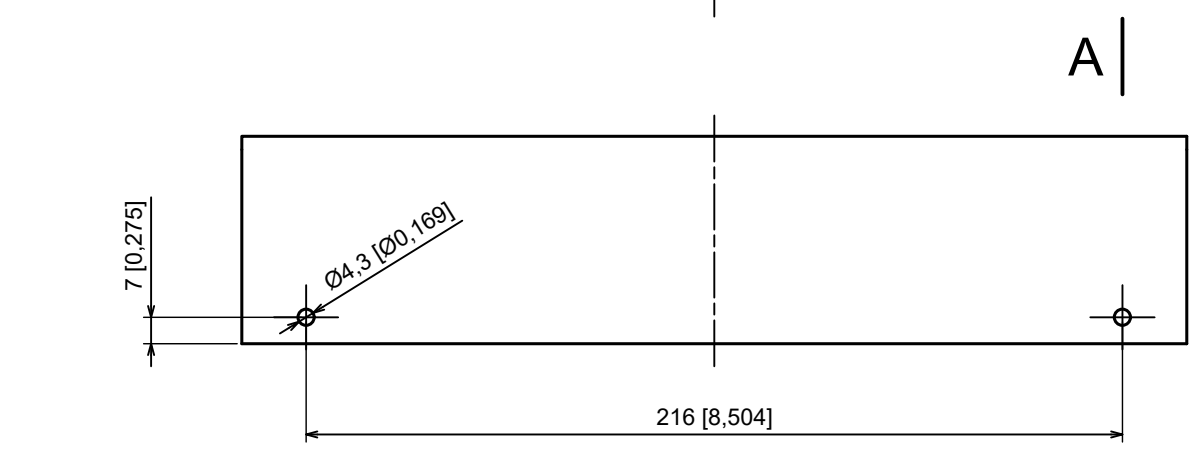
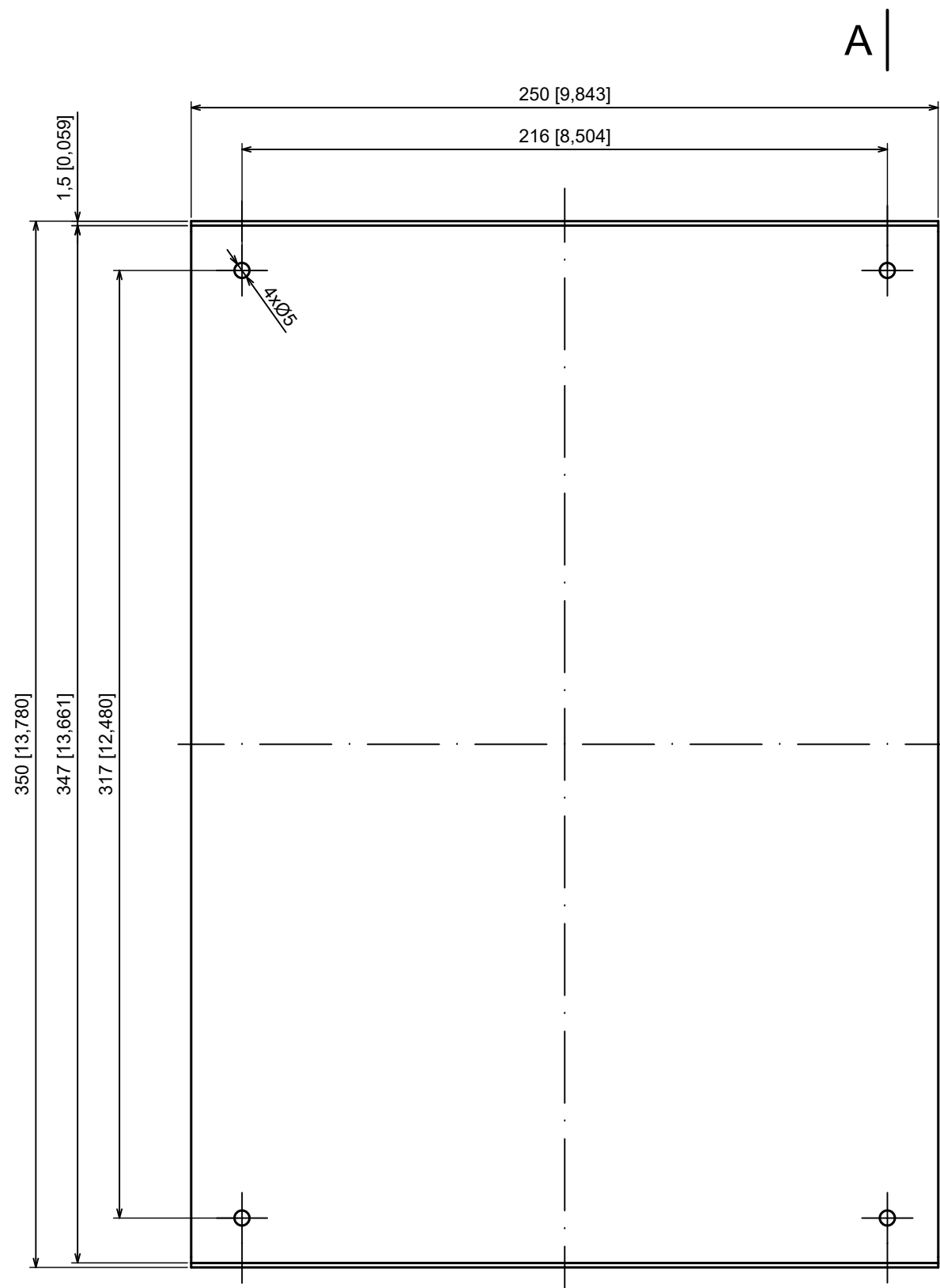
All rights reserved, Copyright Kradox 2023


Product model Enclosure ZR250.350.110 - Assembly

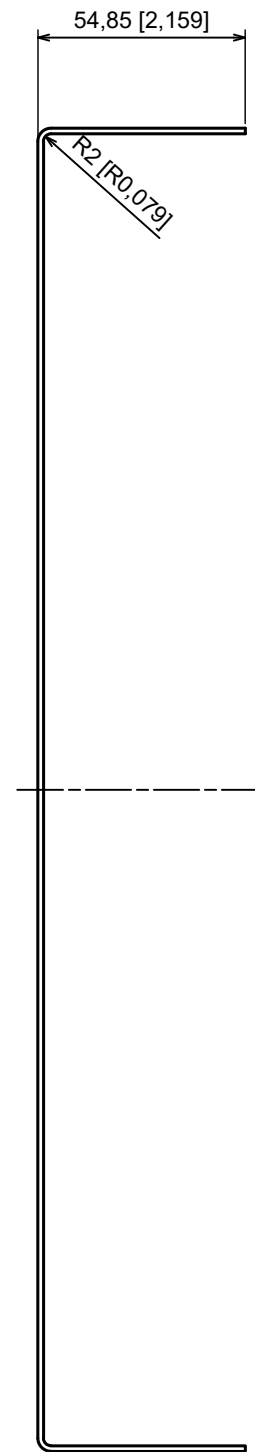
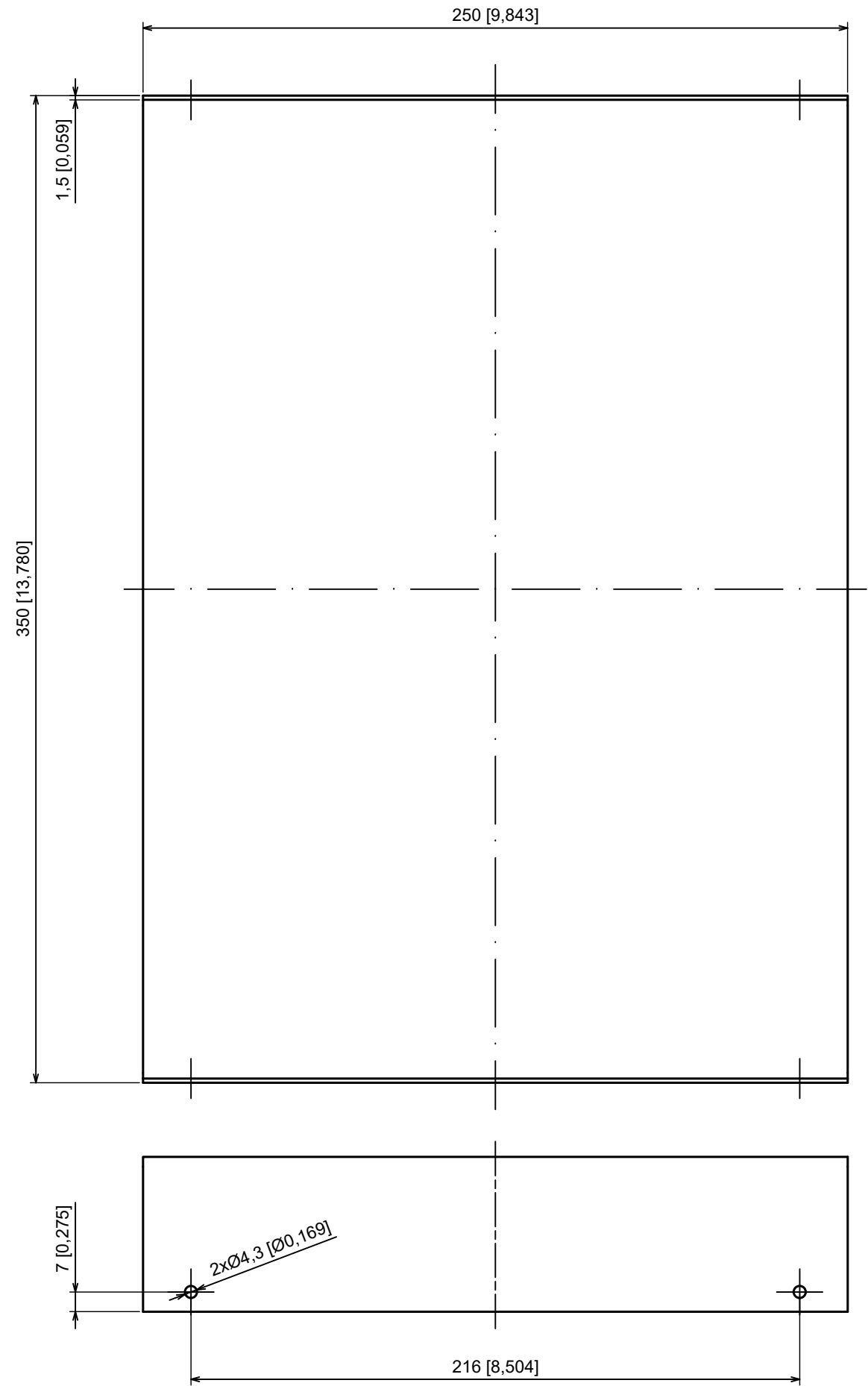
Format: A3 Material: Al


Scale 1:2 Tolerance: +/- 0.5

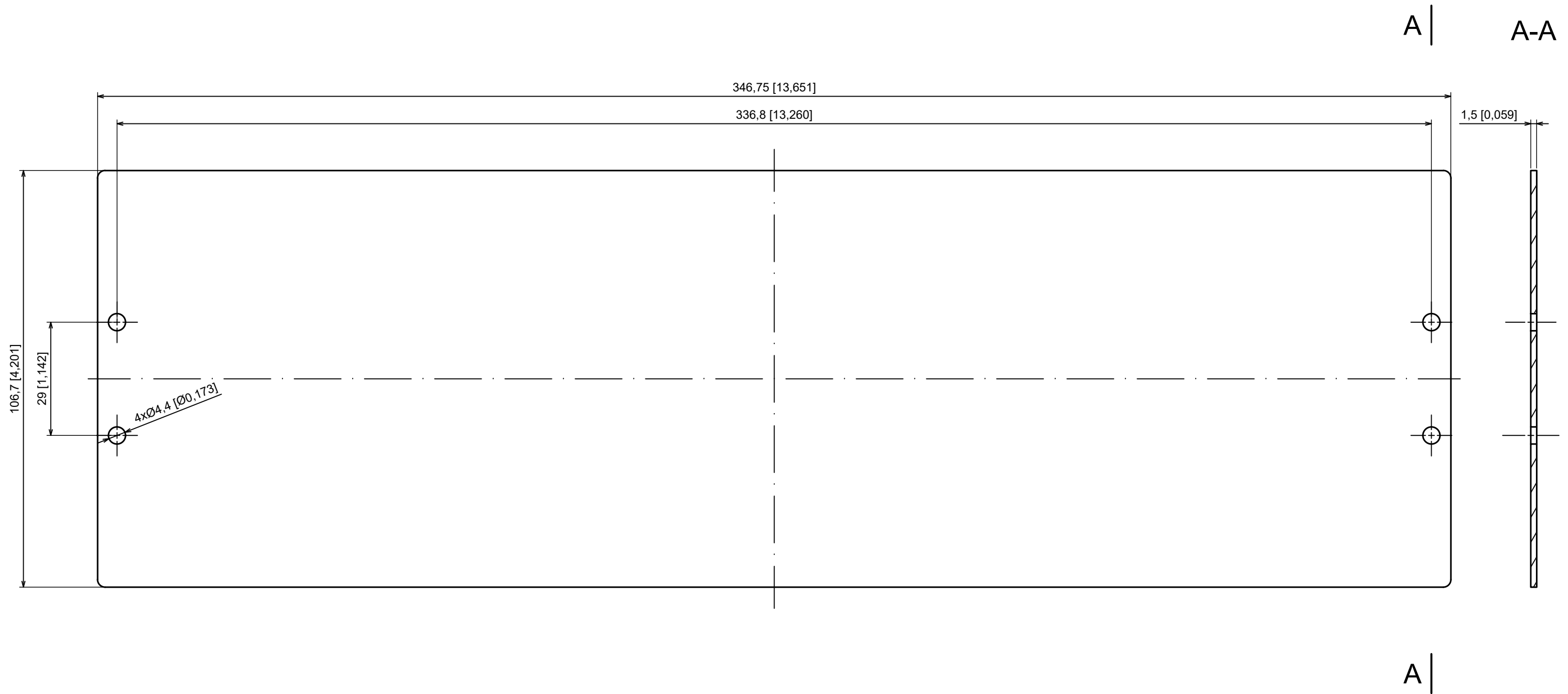





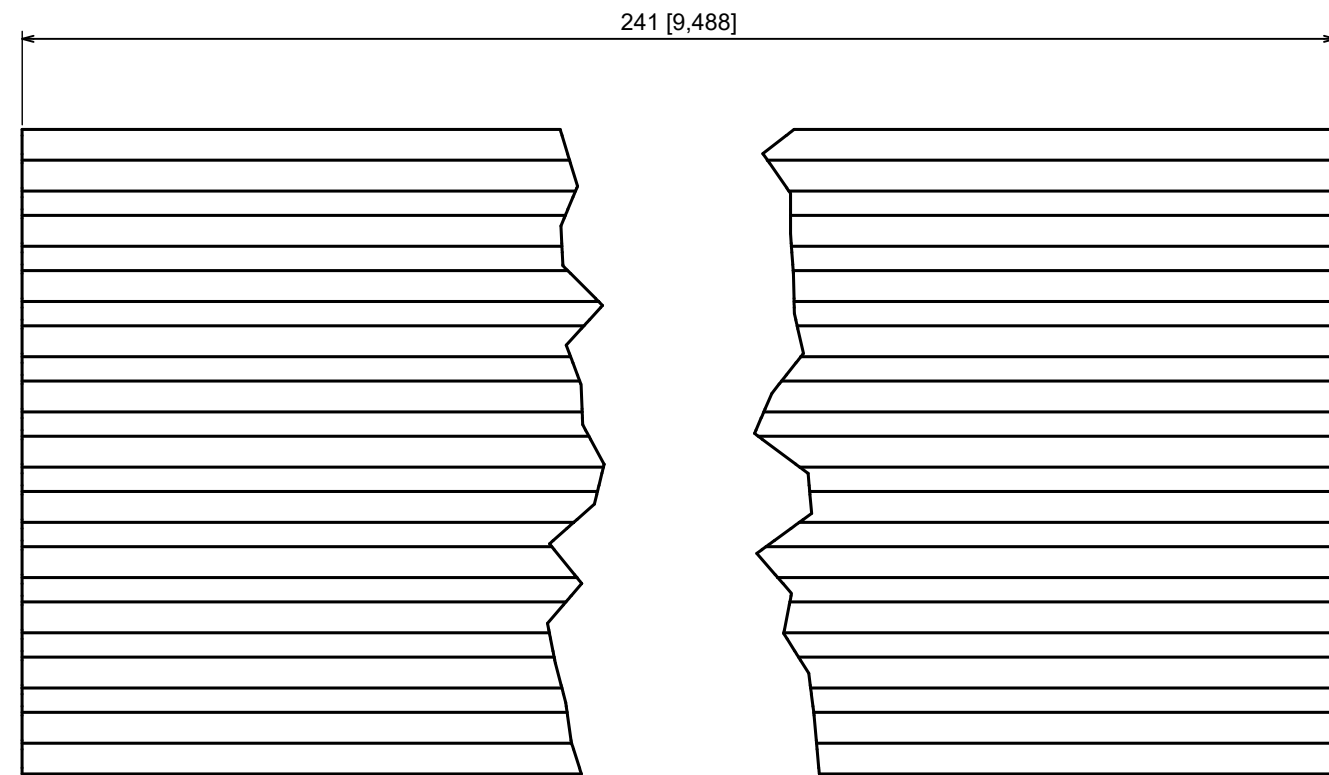
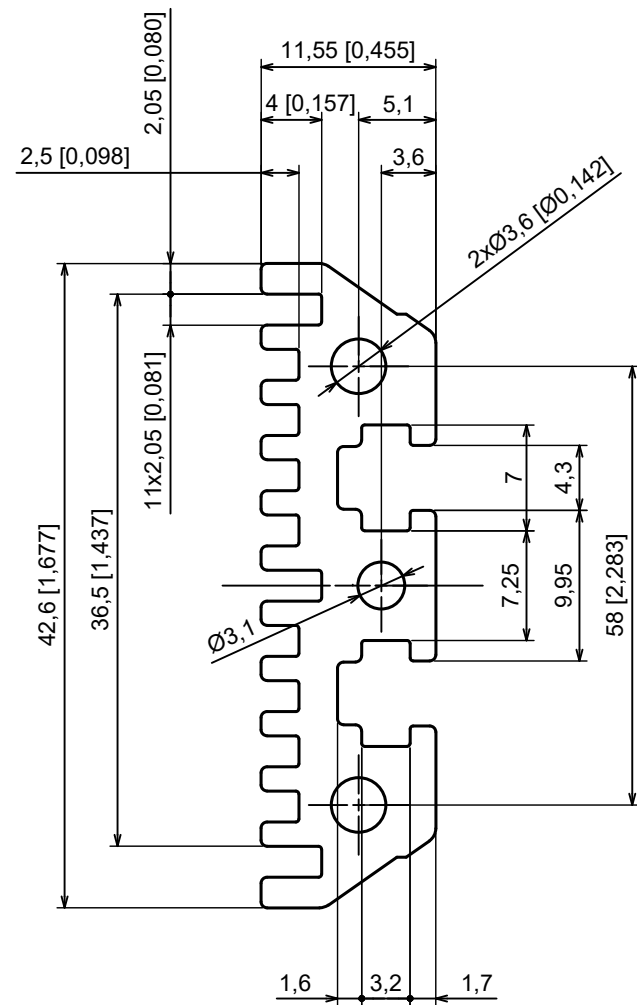
All rights reserved, Copyright Kradox 2023		
Product model	Enclosure ZR250.350.110 - Base	
Format: A3	Material: Al	
Scale 1:2	Tolerance: +/- 0.5	




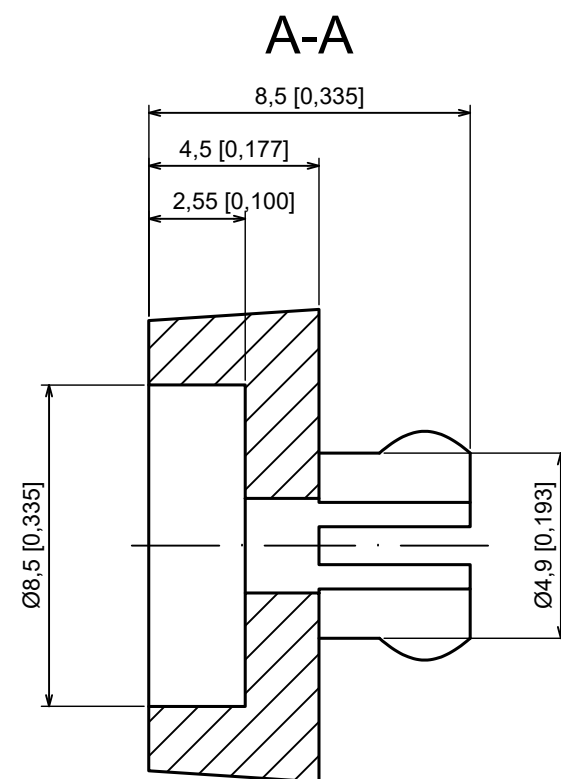
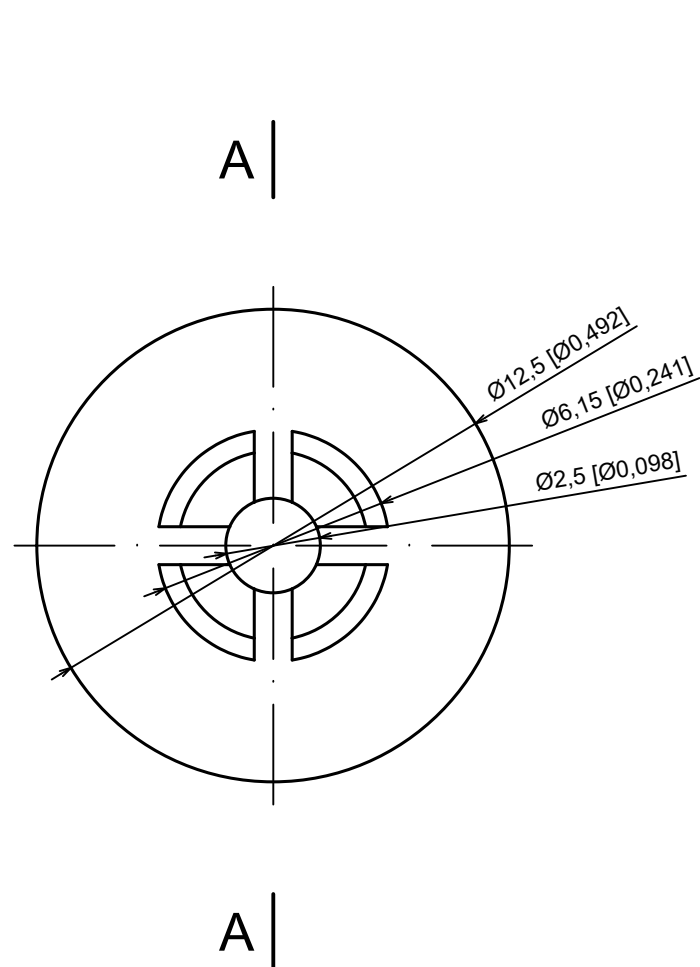
All rights reserved, Copyright Kradox 2023		
Product model	Enclosure ZR250.350.110 - Cover	
Format: A3	Material: Al	
Scale 1:2	Tolerance: +/- 0.5	




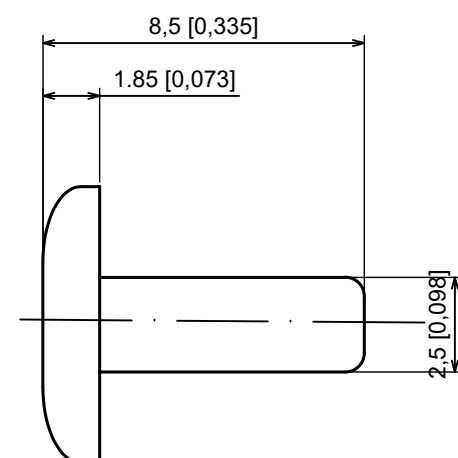
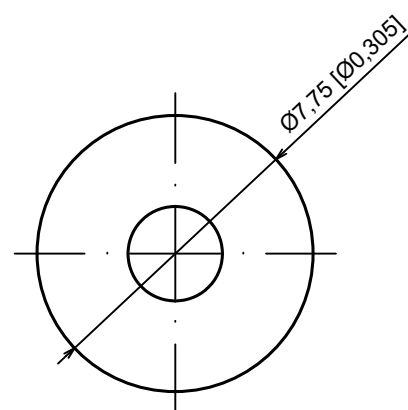
All rights reserved, Copyright Kradox 2023		
Product model	Enclosure ZR250.350.110 - Front Panel	
Format: A3	Material: Al	
Scale 1:1	Tolerance: +/- 0.5	




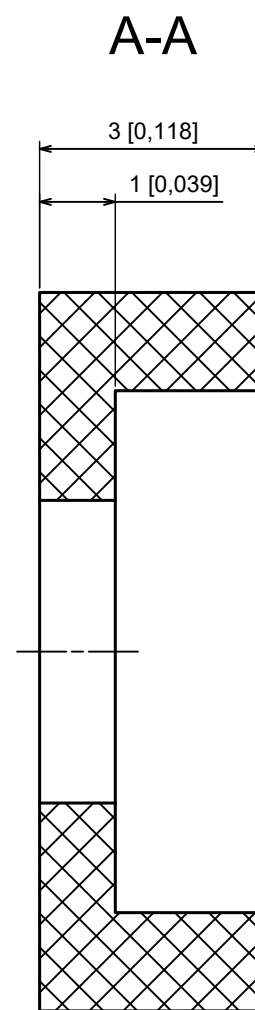
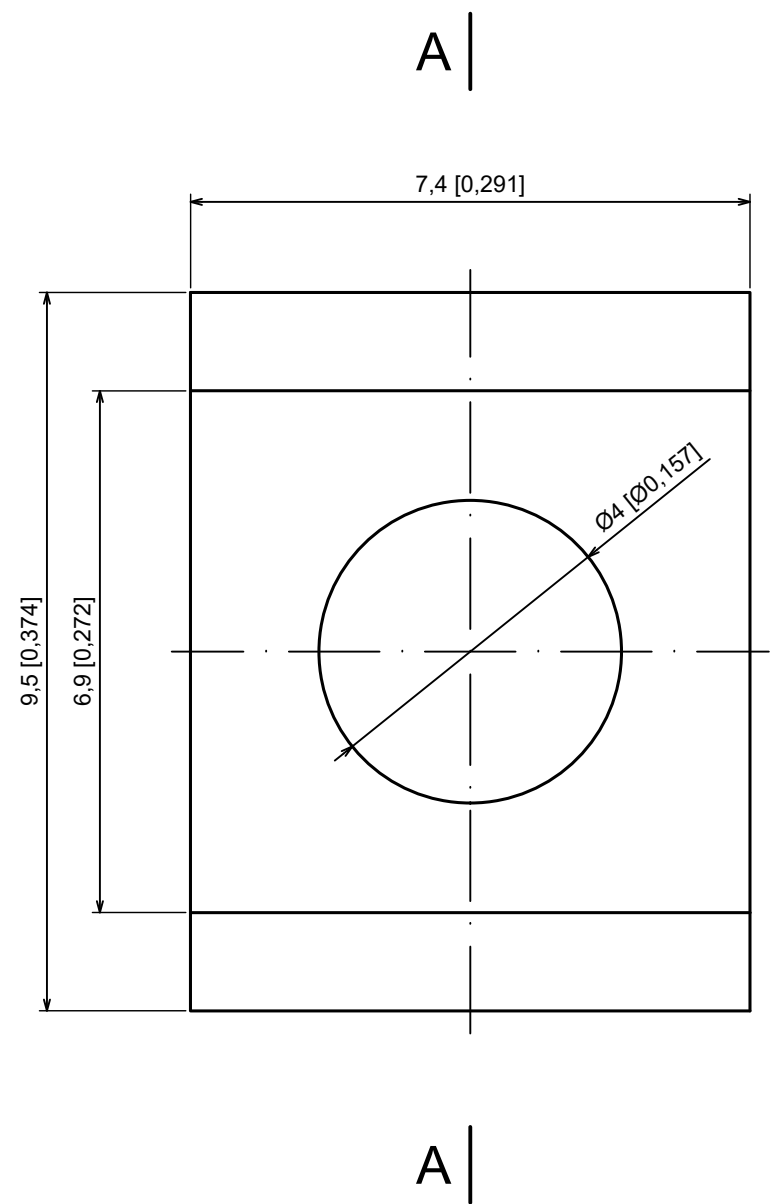
All rights reserved, Copyright Kradox 2023		
Product model	Enclosure ZR250.350.110 - Rail	
Format: A3	Material: Al	
Scale 2:1	Tolerance: +/- 0.5	




All rights reserved, Copyright Kradex 2023		
Product model	Enclosure ZR250.350.110 - Foot	
Format: A3	Material: PE	
Scale 5:1	Tolerance: +/- 0.5	



All rights reserved, Copyright Kradox 2023		
Product model	Enclosure ZR250.350.110 - Pin	
Format: A3	Material: PP	
Scale 5:1	Tolerance: +/- 0.5	



All rights reserved, Copyright Kradox 2023		
Product model	Enclosure ZR250.350.110 - Rubber Pad	
Format: A3	Material: Rubber	
Scale 10:1	Tolerance: +/- 0.5	