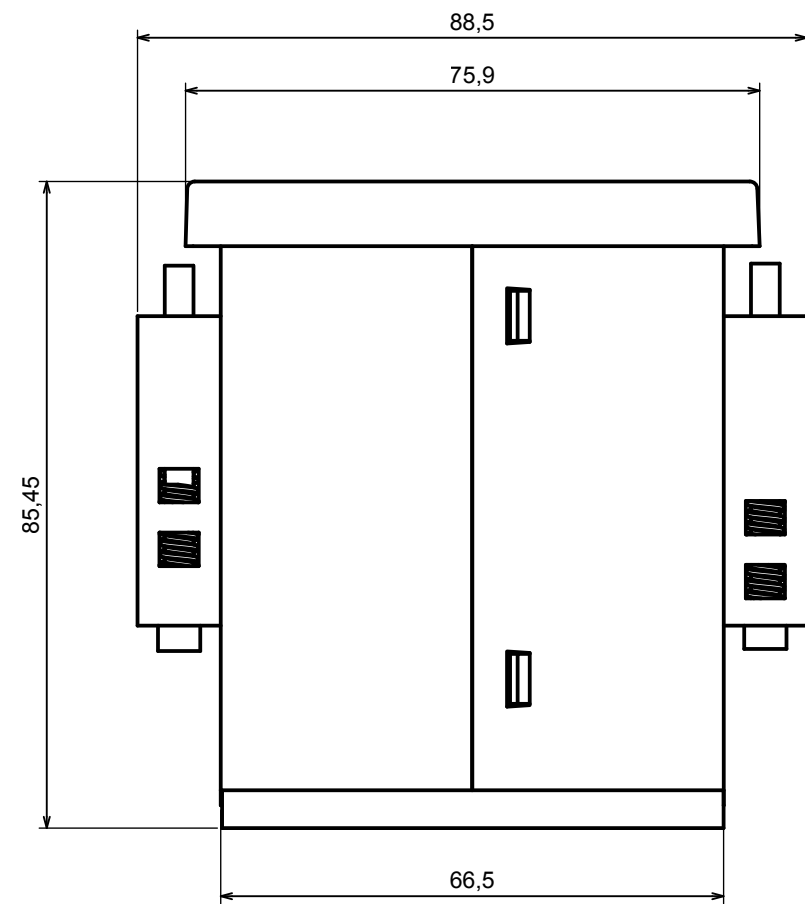
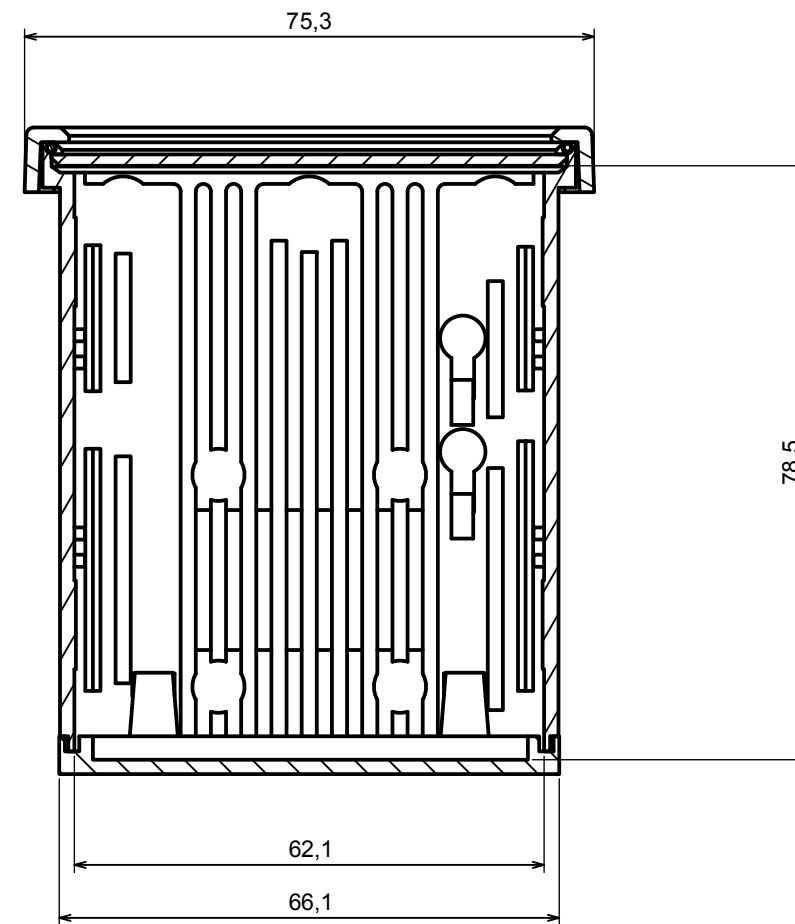


A |



A |

A-A



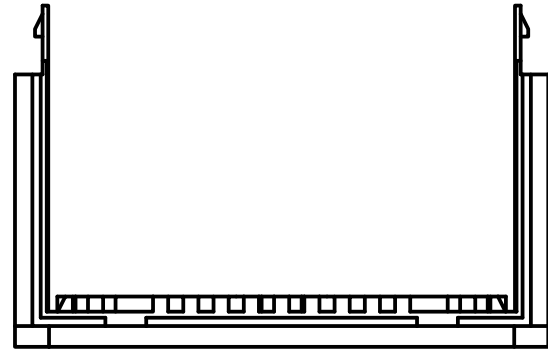
All rights reserved, Copyright Kradex 2017

Product model Enclosure Z114 - Assembly

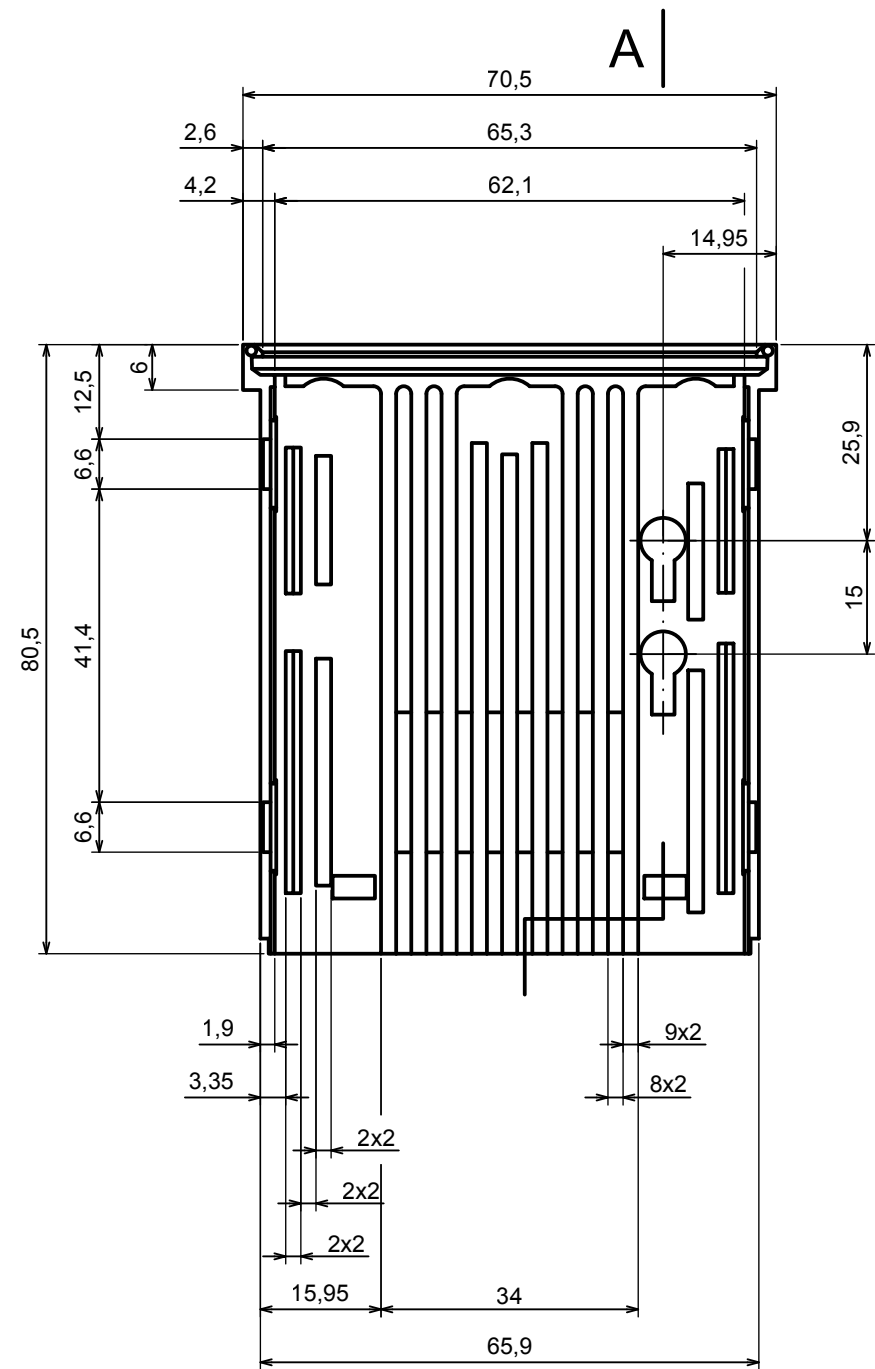
Format: A3 Material: PS, ABS

Scale 1:1 Tolerance: +/- 0.8

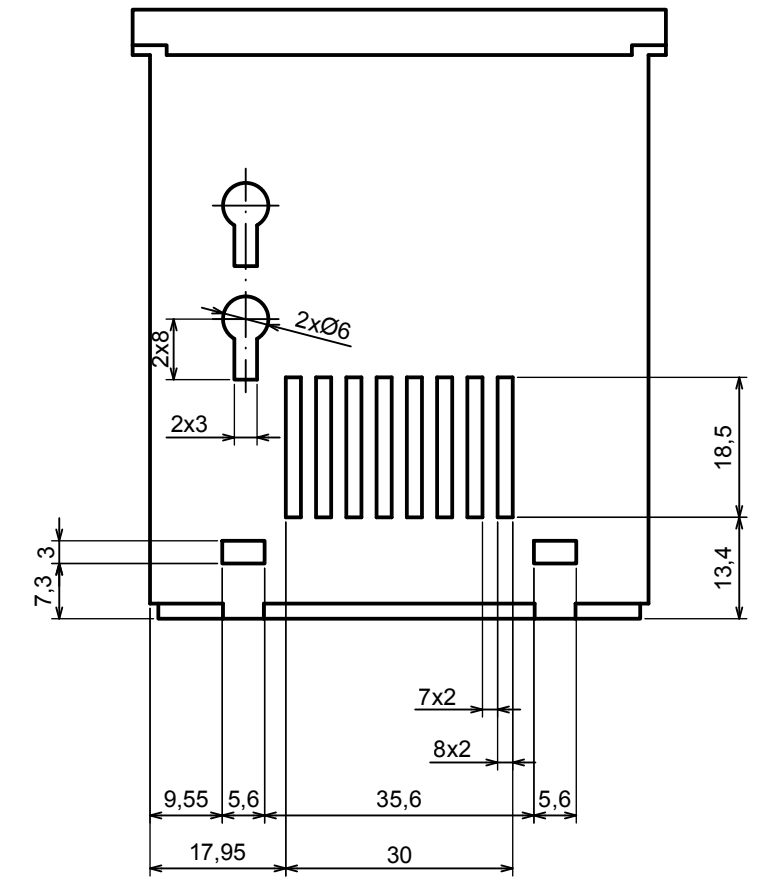
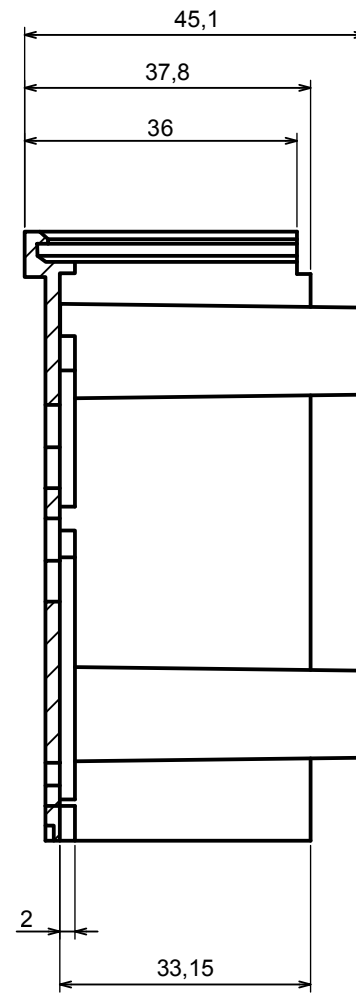




A-A



A |



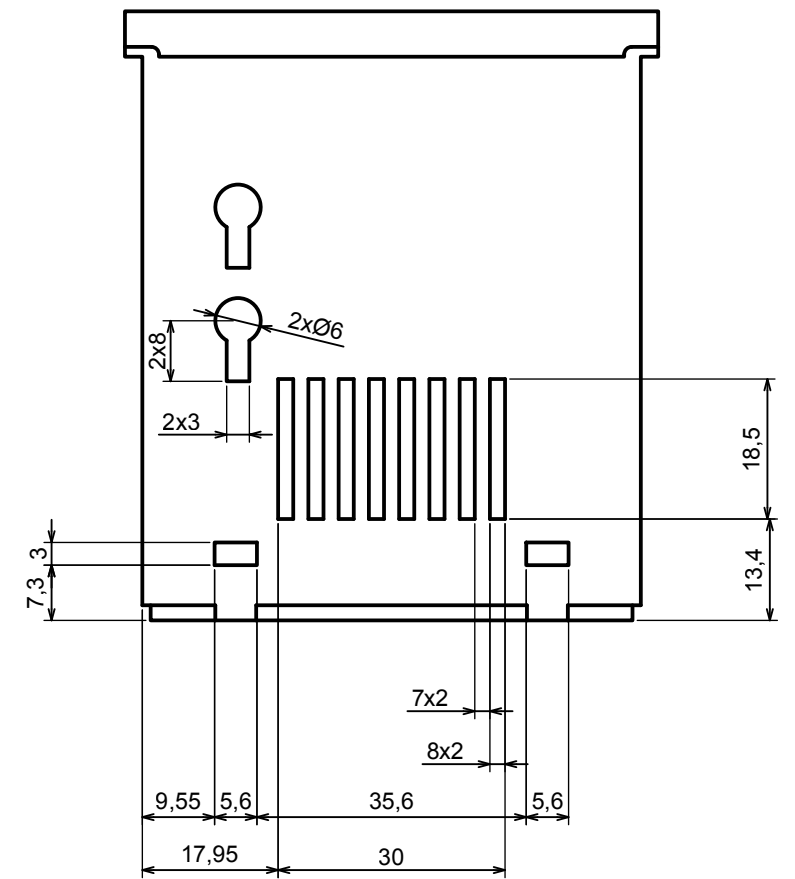
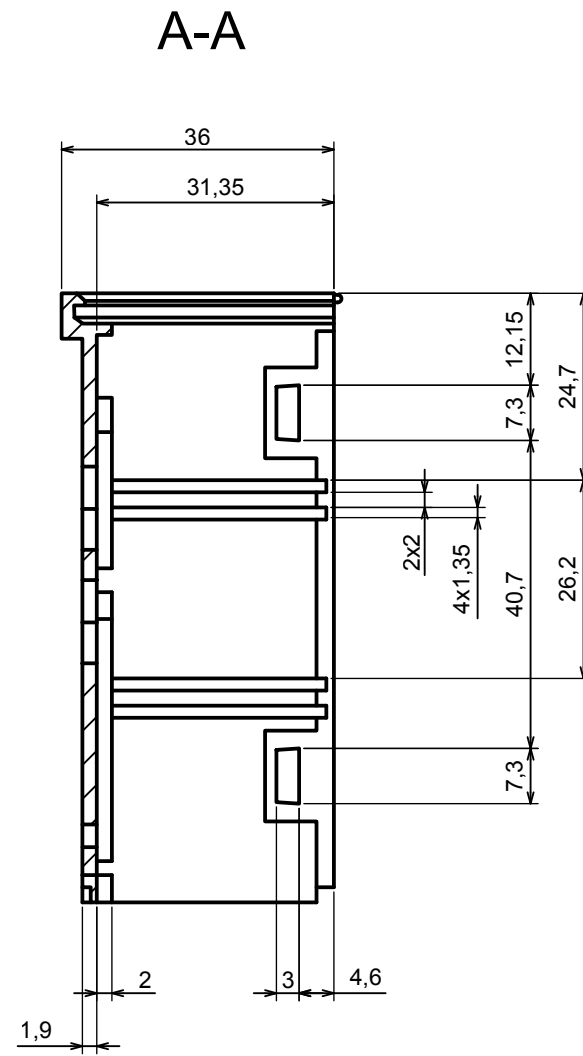
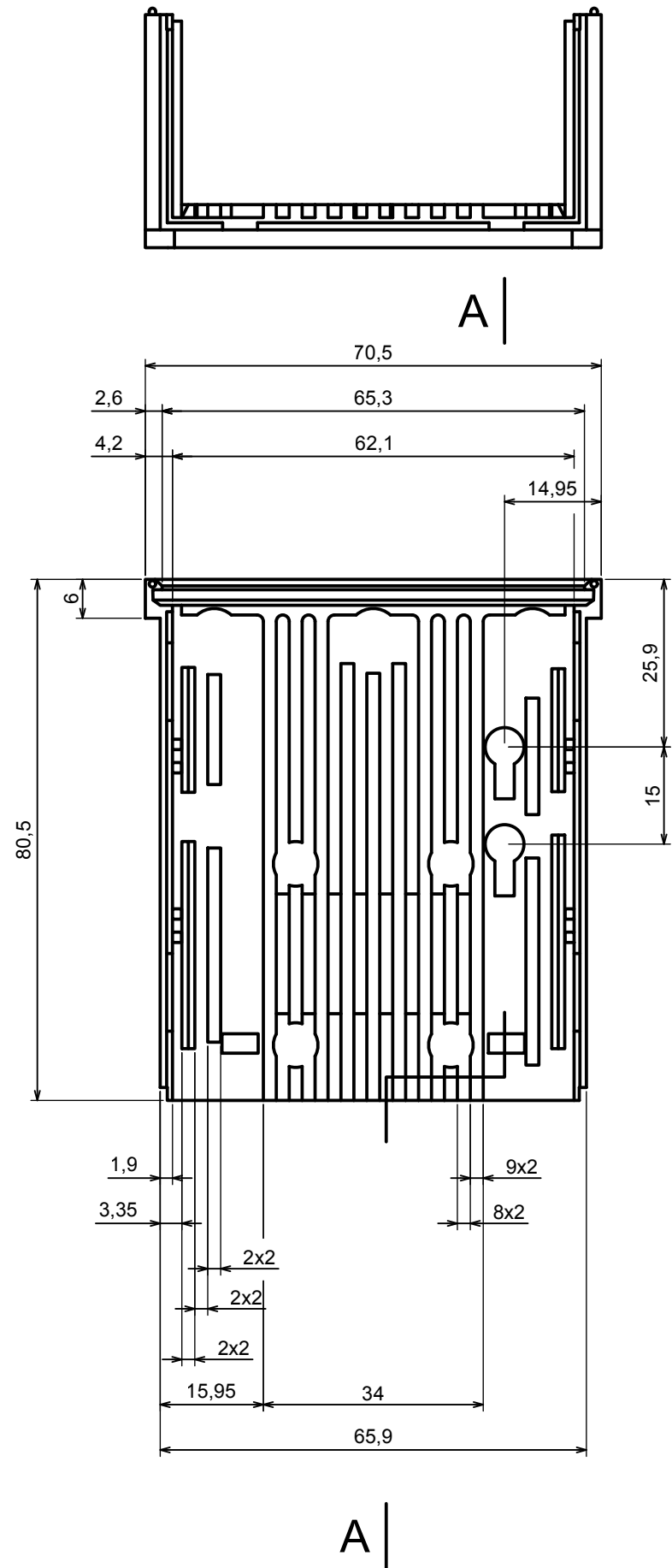
All rights reserved, Copyright Kradox 2017

Product model Enclosure Z114 - Side A

Format: A3 Material: PS, ABS

Scale 1:1 Tolerance: +/- 0.8





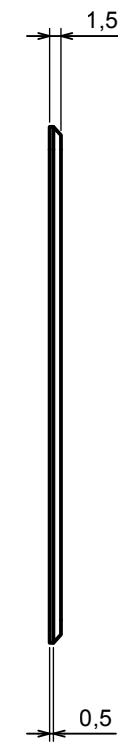
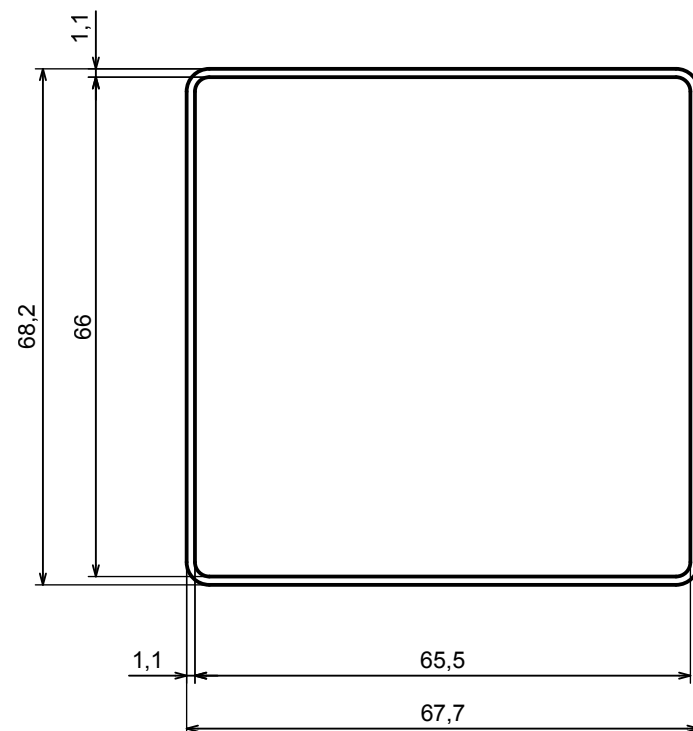
All rights reserved, Copyright Kradox 2017

Product model Enclosure Z114 - Side B

Format: A3 Material: PS, ABS

Scale 1:1 Tolerance: +/- 0.8





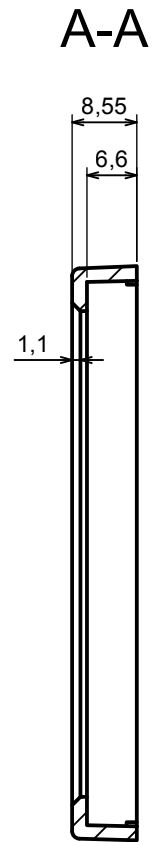
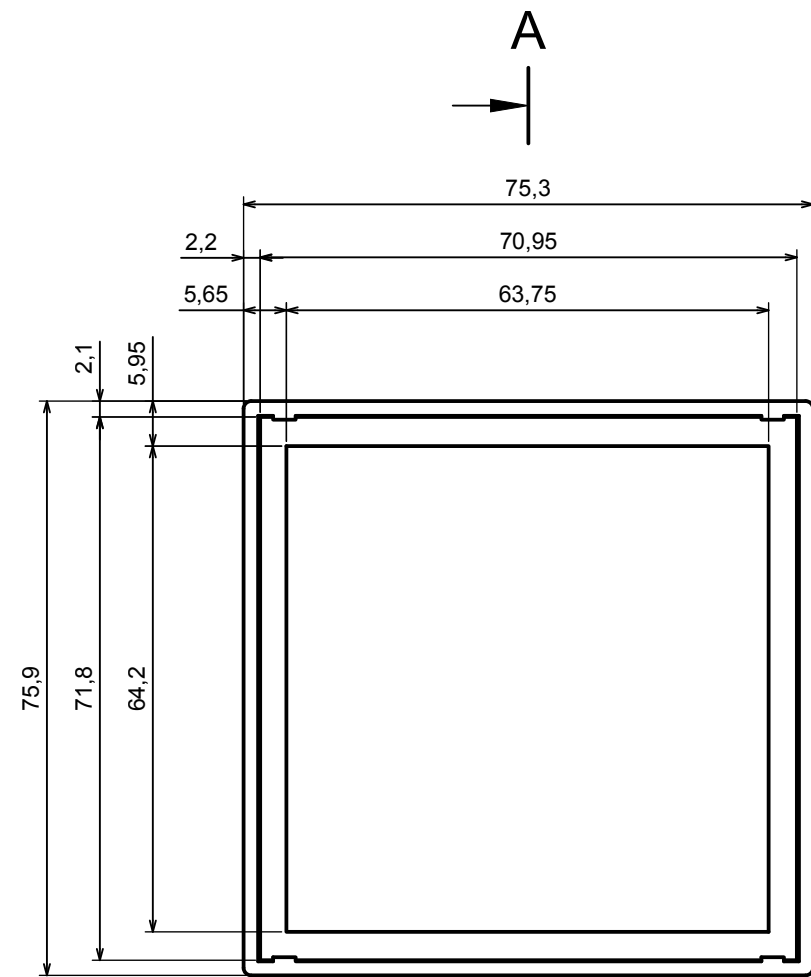
All rights reserved, Copyright Kradex 2017


Product model: Enclosure Z114 - Front Panel

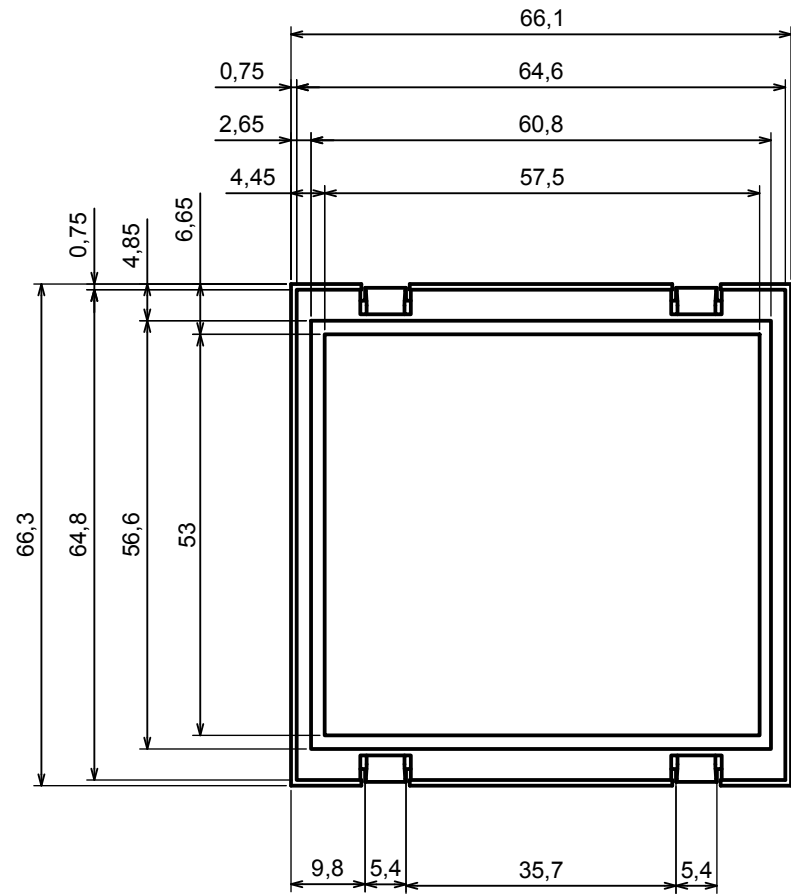
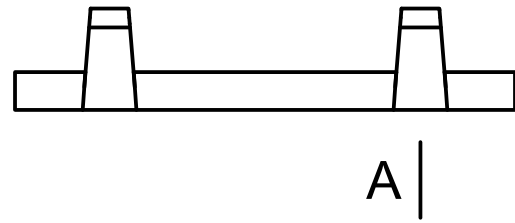
Format: A3      Material: PS, ABS

Scale 1:1      Tolerance: +/- 0.8



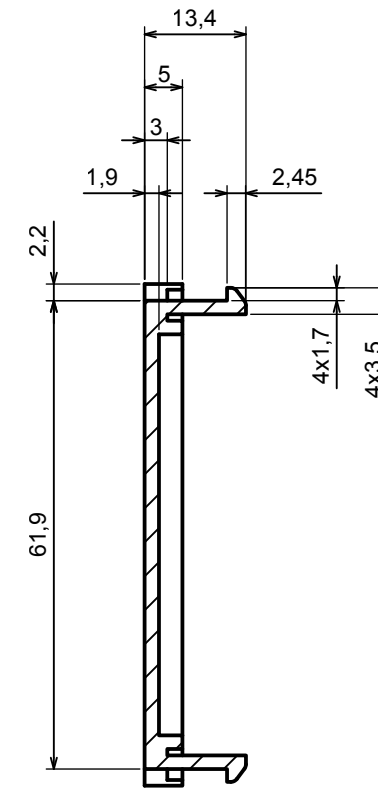


All rights reserved, Copyright Kradox 2017		
Product model	Enclosure Z114 - Cover Frame	
Format: A3	Material: PS, ABS	
Scale 1:1	Tolerance: +/- 0.8	



A |

A-A



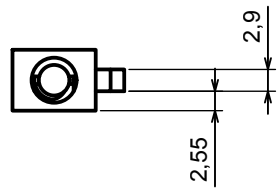
All rights reserved, Copyright Kradex 2017

Product model    Enclosure Z114- Back panel

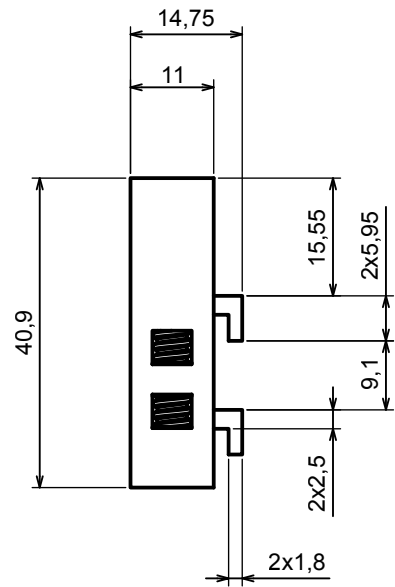
Format: A3    Material: PS, ABS

Scale 1:1    Tolerance: +/- 0.8



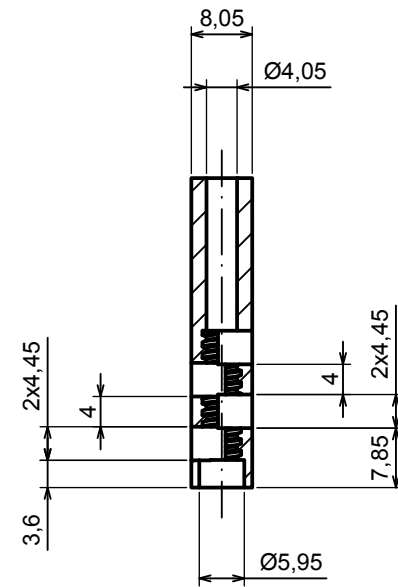



A |

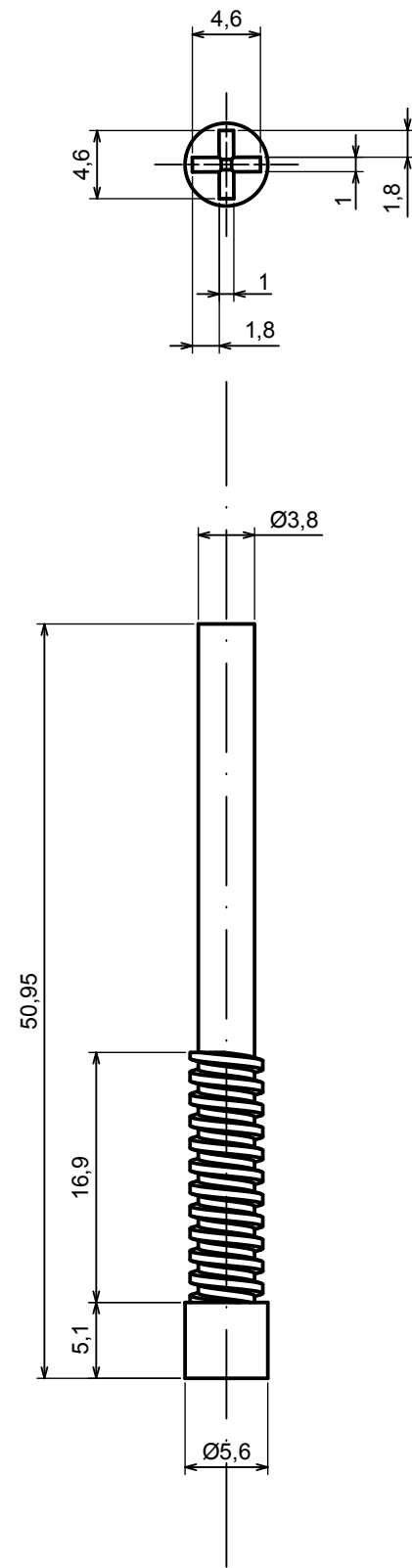


A |

A-A



All rights reserved, Copyright Kradox 2017		
Product model	Enclosure Z114 - Hold	
Format: A3	Material: PS, ABS	
Scale 1:1	Tolerance: +/- 0.8	



All rights reserved, Copyright Kradox 2017

Product model: Enclosure Z114 - Screw

Format: A3      Material: PS, ABS

Scale 2:1      Tolerance: +/- 0.8

